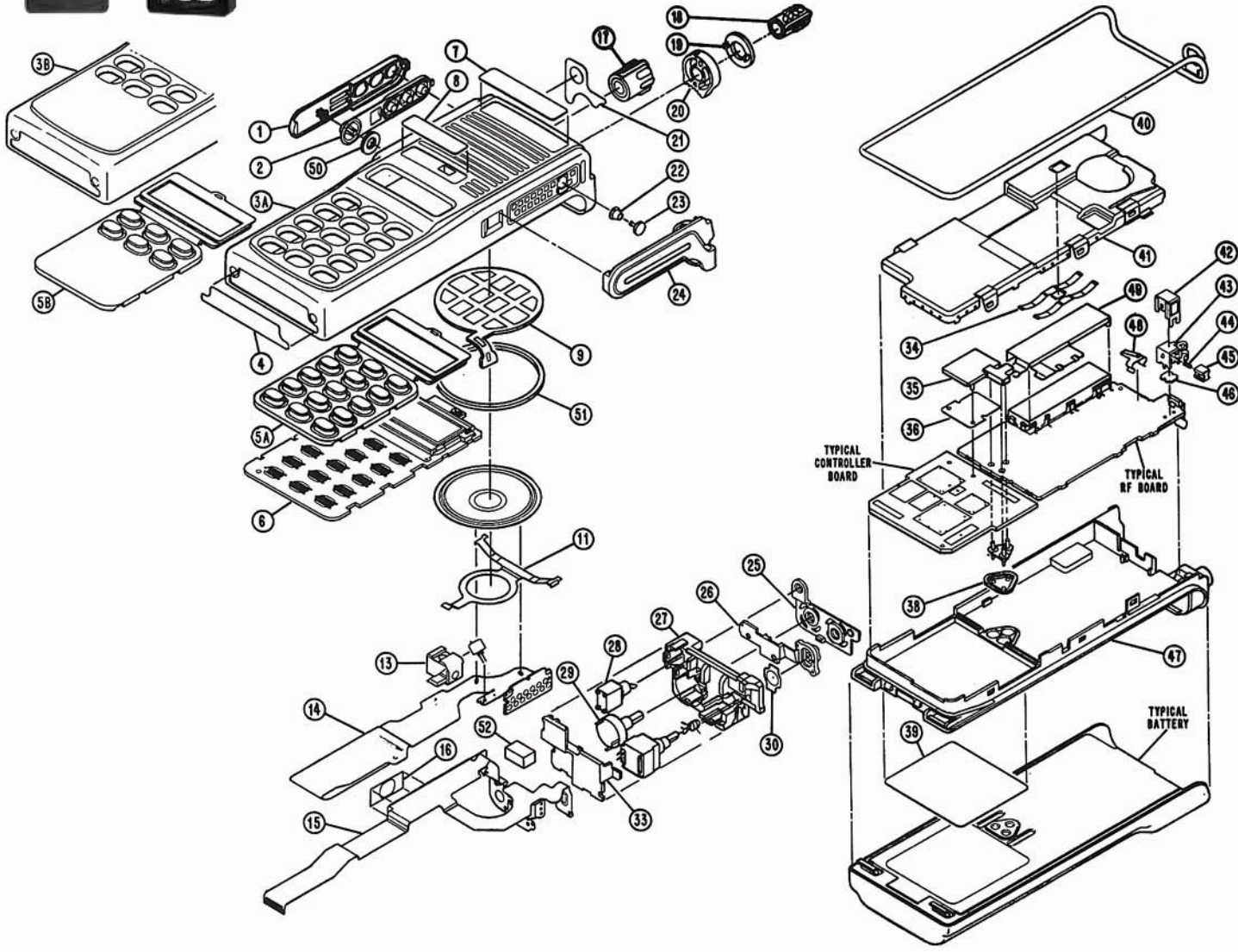




# MTS 2000 Series

## Parts List



**MOTOROLA**

# MTS 2000 Series

## Parts List

REF. NO.	PART NO.	DESCRIPTION	REF. NO.	PART NO.	DESCRIPTION
1	<b>4505896U01</b>	Lever, PTT	27	<b>2705877U01</b>	Housing, Switch
2	<b>3205902U01</b>	Seal, PTT, and Actuator for S404, S405, S406, and S408	30	<b>3905329W01</b>	Popple, Emergency Button
3A	<b>1505637V04</b>	Cover, Front; Full Keypad	33	<b>1505632V01</b>	Cover, Switch Housing
3B	<b>1505637V05</b>	Cover, Front; Limited Keypad	34	----	Spring, PA; not field replaceable, order front shield (item 41)
4	----	Label, Agency Approval; not field replaceable	35	<b>4205507X01</b>	Strain Relief
5A	<b>7505870U01</b>	Keypad, 15-key	36	<b>8405247V01</b>	FLEX, Jumper
5B	<b>7505870U02</b>	Keypad, 6-key	38	<b>3205820V01</b>	Seal, Connector Plug
6	<b>5105238U83</b>	Module, Display	39	----	Label, Rear; Information; not field replaceable
7	<b>3305183R55</b>	Label, Motorola	40	<b>3205176Z01</b>	"O" Ring, Contoured/Seal, Antenna
8	<b>3305409X05</b>	Label, MTS2000	41	<b>2605891U02</b>	Shield, Front
9	<b>3505535X02</b>	Felt, Speaker	42	<b>0705856V01</b>	Bracket, RF Switch
11	<b>0705470V01</b>	Bracket, Speaker Retainer	43	<b>1505520V01</b>	Housing, RF Switch
13	<b>1405330W02</b>	Boot, Microphone	44	<b>4105266V01</b>	Spring, RF Switch
14	<b>8405310W04</b>	FLEX, Front Cover/Display	45	<b>4405524V01</b>	Piston, RF Switch
15	<b>8405333W02</b>	FLEX, Controls	46	<b>8405523V01</b>	Circuit Board, RF Switch
16	<b>3905517V01</b>	Popple, PTT (p/o S406)	47	<b>REX4575A</b>	Chassis (Rear Cover)
17	<b>3605253V01</b>	Knob, On/Off/Volume	48	<b>3905838V01</b>	Contact, Antenna Shield Ground (800 MHz and 900 MHz radios only)
18	<b>3605636V01</b>	Knob, Frequency	49	<b>2605898U01</b>	Shield, PA (800 MHz and 900 MHz radios only)
19	<b>1305633V01</b>	Ring, Concentric; Escutcheon	50	<b>0405717W01</b>	Washer, PTT Seal
20	<b>3605635V01</b>	Knob, Concentric Ring	52	<b>7505393N33</b>	Pad, Shock
21	<b>1305698V01</b>	Escutcheon, Control Top			
22	<b>3205160W01</b>	Seal, Actuator; for S101			
23	<b>2205159W01</b>	Pin, Actuator; for S101			
25	<b>3205177Z01</b>	Seal, Control Top			
26	<b>3205177Z01</b>	Seal, Emergency Button			



**MOTOROLA**

## MTS 2000 Series

# Portable Accessories

### CHARGERS

Single unit chargers are available in either desktop or compact styles for small system users. Multiple Unit chargers can be wall or rack mounted and are ideal for multi-shift operations. Rapid rate chargers fully charge the battery in less than three hours. Standard rate chargers fully charge the battery in approximately 16 hours.

#### Single Unit Chargers, Rapid Rate

**NTN1168A** Enhanced Desktop, 117 Volts\*

**NTN1169A** Enhanced Desktop, 220 Volts (supplied with 2 prong cord)\*\*

**NTN1170A** Enhanced Desktop, 240 Volts (supplied with 3 flat prong cord)\*\*

**NTN1171A** Compact, 117 Volts\*



NTN1172A

**NTN1172A**  
Compact, 220 Volts  
(supplied with 2  
prong cord)\*\*

**NTN1173A**  
Compact, 240 Volts  
(supplied with 3 flat  
prong cord)\*\*

#### Single Unit Chargers, Standard Rate

**NTN1174A** Desktop, 117 Volts\*

**NTN1175A** Desktop, 220 Volts (supplied with 2 prong cord)\*\*

**NTN1176A** Desktop, 240 Volts (supplied with 3 flat prong cord)\*\*

### CHARGERS

#### Multiple Unit Chargers

**NTN1177C** Six  
Pocket, Rapid Rate,  
117 Volts

**NTN1178A** Six  
Pocket, Rapid Rate,  
220 Volts (supplied  
with 2 prong cord)

**NTN1179A** Six Pocket, Rapid Rate, 240 Volts  
(supplied with 3 flat prong cord)

**NLN7967A** Wall Mount



NTN1177C

#### Enhanced Charger Line Cords

Cords can be used on any Enhanced Single or Multiple Unit Rapid Charger to provide versatility for Domestic or International charging capability.

**3060665A04** Exchangeable Line Cord, 110V

**3060665A05** Exchangeable European 2 Prong Line  
Cord, 220V

**3002120F02** Exchangeable United Kingdom 3 Prong  
Line Cord 240V

#### Vehicular Charger

**TDN9816A** Vehicular Charger for  
Nickel-Cadmium Battery; includes  
mounting bracket



TDN9816A

\*Underwriters Laboratory Approved

\*\*VDE Approved



**MOTOROLA**

## MTS 2000 Series

# Portable Accessories

### BATTERY MAINTENANCE SYSTEM <sup>PLUS</sup> (BMS Plus)

Using interchangeable battery adapters (sold separately), the BMS Plus is capable of charging and discharging, analyzing, conditioning and cycle test on batteries; tracking battery voltage and capacity (mAh).

The BMS Plus offers a 3 year warranty. Its easy-to-use design supports hundreds of 2-way, cellular, and camcorder batteries with printer port\* (Serial-RS-232C port – uses female 9-pin to male 25-pin cable).

**WPLN4079AR** Six Station, 110V AC, 50/60 Hz

**WPLN4080AR** Six Station, 230V AC, 50/60 Hz



WPLN4079AR

#### Adapters

**TDN9435C** Standard Adapter, MTS 2000, NiCd

**CDN6364A** Standard Adapter, MTS 2000, NiCd and NiMH

\*Compatible with the STAR Micronics SP200 series printers, available from any STAR Micronics distributor, and other printers with STAR emulation.

### BATTERY OPTIMIZING SYSTEM (BOS)

The Battery Optimizing System accommodates NiCD, NiMH, Li-Ion, and SLA. Four independent stations for simultaneous service of 4 batteries. Reads battery capacity in percentage of nominal rating; verifies battery voltage; measures battery temperature and displays battery impedance in milliohms. (Adapter sold separately).



WPLN4071AR

**WPLN4071AR** 4 Station, 110V AC, 50/60 Hz

**WPLN4073AR** 4 Station, 230V AC, 50/60 Hz

#### Adapters

**RL-72403** Standard Adapter, MTS 2000

### MOTOROLA CONDITIONING CHARGER (MCC)

The MCC will help extend battery life and enhance battery operation. It will safely condition and charge your specified Nickel Cadmium (NiCD) and Nickel Metal Hydride (NiMH) batteries in approximately an hour.

**WPPN4002AR** 110V AC Base Charge Unit only

**WPPN4006AR** 220V AC Base Charge Unit only

**WPPN4004AR** 7 Volt Adapter only

**WPLN4090AR** MCC Kit, 110V AC; includes both base unit and 7V adapter

**WPLN4091AR** MCC Kit, 220V AC; includes both base unit and 7V adapter

**3080384G15** Cigarette Lighter Adapter Cord

#### MCC Multi-Unit Conditioning Charger

**WPPN4065AR** Four-station Base, 110V. (Order adapter plates separately)



# MOTOROLA

## MTS 2000 Series

# Portable Accessories

### BATTERY DISCHARGE TESTER



RLN4201B

Tester determines a battery's delivered capacity by discharging a fully charged battery. 'LED' indicates cycle status by turning "ON" when fully charged battery is placed in adapter and "OFF" when discharge is complete. Plug-in adapters allow one console to discharge most batteries. No AC power source required (console is powered by discharging battery).

**RLN4201B** Single Unit Battery Discharge Tester, Requires Battery Adapter or Cable/Clip Lead

**RLN4048A** Battery Adapter, MTS 2000

**RKN4037A** Cable/Clip Lead, 7.5V

### VEHICULAR BATTERY ELIMINATOR

The battery eliminator saves useful battery life by drawing power from a vehicle's battery. Simply replace the portable battery with the battery eliminator and plug in the cigarette lighter adapter.

**RLN4335A** Vehicular Battery Eliminator



RLN4335A

### CARRYING ACCESSORIES

#### Carrying Cases

Carrying cases provide a convenient way to carry your radio while protecting it from the environment. Cases are designed to fit your radio and are determined by the type of battery you select. You may select from durable leather or nylon construction, standard or swivel attachment and a variety of other accessories. The swivel attachment allows the radio to swing freely with body movements.

#### Standard Carrying Cases

**NTN7238A** Leather Carry Case with Belt Loop and T-Strap, for High Capacity Battery

**NTN7239A** Leather Carry Case with Belt Loop and T-Strap for Ultra High Capacity Battery

**NTN7247A** Nylon Carry Case with Belt Loop for High and Ultra High Capacity Batteries

**NDN4018B** DTMF Leather Carry Case with Belt Loop for use with high and ultra-high capacity batteries



NTN7247A

#### Swivel Carrying Cases

**NTN7241A** Leather Carry Case with 2½" Swivel Belt Loop and T-Strap for High Capacity Battery

**NTN7242A** Leather Carry Case with 2½" Swivel Belt Loop and T-Strap for Ultra High Capacity Battery

**NTN7244A** Leather Carry Case with 3" Swivel Belt Loop and T-Strap for High Capacity Battery

**NTN7245A** Leather Carry Case with 3" Swivel Belt Loop and T-Strap for Ultra High Capacity Battery



**MOTOROLA**

## MTS 2000 Series

# Portable Accessories

### CARRYING ACCESSORIES

The following carry cases have a new, high activity swivel "D" button and belt loop. Case stays on belt more securely. To remove case from belt loop, rotate case 180° and slide case upward, out of the holder.

**NTN8035A** Leather Carry Case with High Activity Swivel, 2½" Belt Loop and T-Strap for High Capacity Battery

**NTN8036A** Leather Carry Case with High Activity Swivel, 2½" Belt Loop and T-Strap for Ultra High Capacity Battery

**NTN8037A** Leather Carry Case with High Activity Swivel, 3" Belt Loop and T-Strap for High Capacity Battery

**NTN8038A** Leather Carry Case with High Activity Swivel, 3" Belt Loop and T-Strap for Ultra High Capacity Battery

**NTN8039A** 2½" Replacement Swivel Belt Loop for High Activity Swivel Cases

**NDN4017B** DTMF Leather Carry Case with High Activity Swivel Belt Loop for use with high and ultra-high capacity batteries

**NTN8040A** 3" Replacement Swivel Belt Loop for High Activity Swivel Cases

**NTN1534A** High Activity "D" Button and 2½" Belt Loop

**NTN1535A** High Activity "D" Button and 3" Belt Loop

**NTN8063A** High Activity "D" Button Replacement

### CARRYING ACCESSORIES

#### T-Strap

**NTN5574A** T-Strap for Leather Carry Cases

**NTN7376A** T-Strap for Nylon Carry Cases



NTN5574A



4205857B01

#### Belt Loops

**4205857B01** Swivel Belt Loop, 2"

**4282421J06** Swivel Belt Loop, 2½"

#### Belt Clips

**4205638V04** Belt Clip, 2½"

**4205638V02** Belt Clip, 3"



4205638V04

#### Belt

**4200865599** Black Leather Belt, 3"



4200865599



NTN5243A

#### Carrying Strap

**NTN5243A** Shoulder Carrying Strap Allows Easy Carrying of Radio When Not Wearing a Belt



# MOTOROLA

## MTS 2000 Series

# Portable Accessories

### CARRYING ACCESSORIES



TDN9326A

#### Chest Pack

Carry the radio mounted in a pouch on the chest. Adjustable straps go over shoulders and around waist.

**TDN9326A** Chest Pack

#### HLN6602A

Universal Chest Pack with Radio Holder, Pen Holder, and Velcro Secured Pocket



HLN6602A

#### 1505596Z02

Replacement Strap for HLN6602A

#### RadioPAK™

**RLN4815A** Universal RadioPAK™ with Radio Holder. Worn around waist with adjustable belt. Includes attached 6" by 8" zippered pouch for other job necessities

**4280384F89** Universal RadioPAK™ belt lengthener; fits waists larger than 40"

#### Portable Radio Hanger

The portable radio hanger slides over and hangs from the door panel in a vehicle. The radio's belt clip slides onto the portable hanger allowing convenient, easy mounting. Two sizes are available to fit door panels.

**TDN9327A** Portable Radio Hanger for Door Panels up to 2¾"

**TDN9373A** Portable Radio Hanger for Door Panels 2¾" to 3¼"



TDN9327A

### AUDIO ACCESSORIES



NMN6193B

#### Remote Speaker/Microphones

Remote Speaker/Microphone allows remote transmit and receive capabilities conveniently while radio remains in the case. These microphones include: 6' Coiled Cord Assembly, 3.5 mm Earjack, Swivel Clip, and Quick Disconnect Latch.

**NMN6193B** Remote Speaker/Microphone

**NMN6191B** Noise Cancelling Remote Speaker Microphone

#### Public Safety Speaker/Microphones

Public Safety Speaker/Microphones include 4.5' Straight Cord Assembly, 3.5 mm Earjack, Swivel Clip, Quick Disconnect Latch, Antenna Connector, and Receive Audio High/Low Volume Push Button. Antenna must be ordered separately.

**NMN6228C** Noise-Cancelling Public Safety Speaker/Microphone

#### Epaulet Strap

Black leather epaulet strap secures remote speaker microphone to epaulet straps on shirt or jacket and accommodates back clip in leather cut-outs. Snap closure secures remote speaker microphone cord to allow reliable communications in hostile environments.



RLN4294A

**RLN4294A** Epaulet Strap, Velcro

**RLN4295A** Epaulet Strap, Small Clip



RLN4295A



**MOTOROLA**

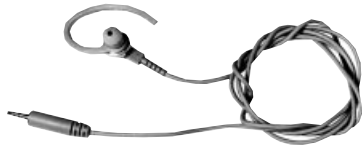
# MTS 2000 Series

## Portable Accessories

### AUDIO ACCESSORIES

#### Surveillance Accessories

**BDN6676B** 3.5 mm Threaded Jack Adapter with Quick Disconnect Latch. Required for use with Above Surveillance Accessories



BDN6664A

**BDN6664A** Beige Earpiece Assembly with Standard Earphone and Urethane Earloop\*

**BDN6726A** Black Earpiece Assembly with Standard Earphone and Urethane Earloop\*

**BDN6665A** Beige Earpiece Assembly with Extra Loud Earphone (exceeds OSHA limits) and Urethane Earloop\*

**BDN6727A** Black Earpiece Assembly with Extra Loud Earphone (exceeds OSHA limits) and Urethane Earloop\*



BDN6666A

**BDN6666A** Beige Earpiece Assembly with Volume Control and Urethane Earloop\*

**BDN6728A** Black Earpiece Assembly with Volume Control and Urethane Earloop\*

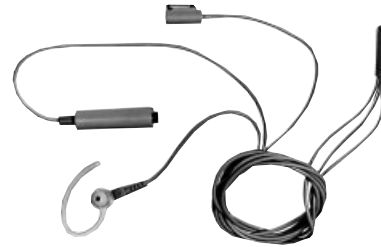
**BDN6667A** Beige Earpiece Assembly with Microphone and Push-To-Talk Combined\*

**BDN6729A** Black Earpiece Assembly with Microphone and Push-To-Talk Combined\*



BDN6667A

### AUDIO ACCESSORIES



BDN6668A

**BDN6668A** Beige Earpiece Assembly with Microphone and Push-To-Talk Separate\*

**BDN6730A** Black Earpiece Assembly with Microphone and Push-To-Talk Separate\*

**BDN6669A** Beige Extra Loud Earpiece (exceeds OSHA limits) with Microphone and Push-To-Talk Combined\*

**BDN6731A** Black Extra Loud Earpiece (exceeds OSHA limits) with Microphone and Push-To-Talk Combined\*

**BDN6670A** Beige Extra Loud Earpiece (exceeds OSHA limits) with Microphone and Push-To-Talk Separate\*

**BDN6732A** Black Extra Loud Earpiece (exceeds OSHA limits) with Microphone and Push-To-Talk Separate\*

**5080369E38** Standard Earpiece Assembly (Earphone, Earloop, Eartip)

**5080369E39** Extra Loud Earpiece Assembly (Earphone, Earloop, Eartip)

**5080369E40** Plastic Urethane Earloop

**5080369E41** Wire Earloop

**5080371E69** Small Rubber Eartip

**5080371E73** Standard Rubber Eartip

\*Requires BDN6676 adapter





**MOTOROLA**

## MTS 2000 Series

# Portable Accessories

### AUDIO ACCESSORIES

#### Noise Kits

Lightweight translucent tube **attaches to Motorola surveillance accessories**. Clothing clip prevents the accessory from being pulled from the ear due to body movement or head rotation.

**NTN8370A** Extreme Noise Kit, includes 2 foam earplugs for loud environments

**NTN8371A** Low Noise Kit, includes rubber eartip for low noise environments

**5080384F72** Replacement Foam Plugs. Pack of 50 (for use with NTN8370A)

#### Earpiece

The clear comfortable earpiece forms to the inside of your ear and is perfect for low noise environments. Compatible with the NTN8371A, clear acoustic tube assembly, and most surveillance kits (1, 2 and 3 wire). This earpiece is made of easy-to-clean chemically inert, hypoallergenic material.

There are 3 items needed to make this product work:

1. Clear Comfortable Earpiece
2. Clear Acoustic Tube Assembly (NTN8371A)
3. Surveillance Kits

**RLN4760A** Small Custom Earpiece, right ear

**RLN4763A** Small Custom Earpiece, left, ear

**RLN4761A** Medium Custom Earpiece, right ear

**RLN4764A** Medium Custom Earpiece, left ear

**RLN4762A** Large Custom Earpiece, right ear

**RLN4765A** Large Custom Earpiece, left ear

### AUDIO ACCESSORIES



BDN6719A

#### Flexible Ear Receiver

**BDN6719A** Ear Receiver with 3.5 mm threaded plug, to be used with adapter BDN6676

#### Pellet Style Earpieces

**BDN6780A** Single Earbud with Microphone and Push-To-Talk

**BDN6781A** Single Earbud, Receive only



BDN6780A

#### Ear Microphone System

This compact unit picks up the voice through bone vibrations in the ear canal. Ideal for use in high noise environments. Available in PTT or Voice-activated (VOX) capabilities for total hands free communications. Order Interface Module separately.



BDN6677A

**BDN6677A\*** Ear Microphone for Standard Noise Levels (up to 95 dB), Black

**BDN6678A\*** Ear Microphone for Standard Noise Levels (up to 95 dB), Beige

**BDN6641A\*** Ear Microphone for High Noise Levels (up to 105 dB), Grey

#### Interface Module

**BDN6708B\*** Push-To-Talk Only Interface Module

**BDN6671B\*** Push-To-Talk/Voice-Activated Interface Module



**MOTOROLA**

## MTS 2000 Series

# Portable Accessories

### AUDIO ACCESSORIES

#### Optional Accessories

**0180358B38\***  
Remote Push-To-Talk Ring Switch



0180358B38

**0180300B83** Bodyswitch, Push-To-Talk Accessory

**0180300E25** Earguard with Adjustable Loop; secures ear mic in ear



0180358B33

**0180358B32** Earholder, Black, Size Small; secures ear mic in ear

**0180358B33** Earholder, Black, Size Medium; secures ear mic in ear

**0180358B34** Earholder, Black, Size Large; secures ear mic in ear

**0180358B35** Earholder, Clear, Size Small; secures ear mic in ear

**0180358B36** Earholder, Clear, Size Medium; secures ear mic in ear

**0180358B37** Earholder, Clear, Size Large; secures ear mic in ear

**4280369E44** Replaceable Belt Clip with Screws

**5080358B28** Eartips, Black, Size Medium (10 per pack)

**5080358B29** Eartips, Black, Size Large (10 per pack)

**5080358B30** Eartips, Beige, Size Medium (10 per pack)

**5080358B31** Eartips, Beige, Size Large (10 per pack)

### AUDIO ACCESSORIES

#### Heavyduty Headsets

Heavyduty headsets include Noise-Cancelling Microphones and can be worn with or without a hardhat. Headsets are for use in noise levels up to 125 dB. The Push-To-Talk switch is located on the earcup. The Vox module is contained within the headset on voice activated units. Heavyduty headsets require radio adapter cable.



BDN6645A

**BDN6673B** Radio Adapter Cable

**BDN6645A** Push-To-Talk Headset with Boom Microphone; Requires Adapter Cable BDN6673B



BDN6635B

**BDN6635B** Voice-activated Headset with Boom Microphone; Requires Adapter Cable BDN6673B



# MOTOROLA

## MTS 2000 Series

### Accessories, Antennas, Kits

#### AUDIO ACCESSORIES

**BDN6636B** Voice-activated Headset with Throat Microphone, Requires Adapter Cable BDN6673B



BDN6636B

#### Lightweight Headsets

Lightweight headsets have In-Line Push-to-Talk Switch Requires BDN6676B Audio Adapter

**NMN6245A** Single Speaker Lightweight Headset with In-Line Push-To-Talk Switch (requires BDN6676B audio adapter)

**NMN6246A** Ultralite Headset with Boom Microphone and In-Line Push-To-Talk Switch (requires BDN6676B adapter)

**NMN1020A** Lightweight Headset with Boom Microphone to be worn on a helmet or safety glasses. Includes NKN6498A adapter cable. Requires BDN6676B adapter. FM approved.

**NKN6498A** Headset Adapter Cable for use with NMN1020A

#### PORTABLE ANTENNAS

##### Flexible Whip Antenna

Flexible Whip antennas have a one-piece finish and steel core for optimal radiation characteristics. Provides more comfort when radio is worn on the belt.

##### 8505241U05

Flexible Whip, 403-520 MHz, 6"

##### Helical Antennas

Helicals are sturdy and dependable for years of fail safe communication. Each antenna is designed and built to quality standards. The skirt at the base of the connector helps to seal out damaging elements. Connector is made of plated brass material for long life.

##### 8505644V01

Helical, 136-151MHz, 6"

##### 8505644V02

Helical, 151-162MHz, 6"

##### 8505644V03

Helical, 162-174MHz, 6"

##### 8505644V04

Helical 403-435MHz, 3"

##### 8505644V05

Helical, 435-470MHz, 3"

##### 8505644V06

Helical, 470-520MHz, 3"



8505644V03

8505644V04

##### Wideband Antenna

Wideband antenna is ideal when radio is used in different frequencies since one antenna will cover all ranges.

##### 8505518V01

Wideband, 135-174MHz, 6"

#### REPLACEMENT KITS

**REX4395A** 15 Key Cosmetic Replacement Kit

**REX4396A** 6 Key Cosmetic Replacement Kit

**REX4397A** Top Display Cosmetic Replacement Kit



**MOTOROLA**

# MTS 2000 Series

## Batteries

### PORTABLE BATTERIES

#### Nickel-Cadmium

Part Number: **NTN7143CR**  
 Charge: Rapid  
 Volts: 7.5V  
 Avg. MAH: 1200  
 Height: 6"  
 FM Rating: (NA)



NTN7143CR

Part Number: **NTN7144AR**  
 Charge: Rapid  
 Volts: 7.5V  
 Avg. MAH: 1400  
 Height: 6"  
 FM Rating: (NA)

Part Number: **NTN7146AR**  
 Charge: Rapid  
 Volts: 7.5V  
 Avg. MAH: 1200  
 Height: 6"  
 FM Rating: IS & NI

Part Number: **NTN7147AR**  
 Charge: Rapid  
 Volts: 7.5V  
 Avg. MAH: 1400  
 Height: 6"  
 FM Rating: IS & NI



NTN7147AR

Part Number: **NTN7149BR**  
 Charge: Rapid  
 Volts: 7.5V  
 Avg. MAH: 1400  
 Height: 6"  
 FM Rating: CSA

Part Number: **NTN7150A**  
 Charge: Rapid  
 Volts: 7.5V  
 Avg. MAH: 1200  
 Height: 6"  
 FM Rating: MSHA

### PORTABLE BATTERIES

Part Number: **NTN7341AR**  
 Charge: Rapid  
 Volts: 7.5V  
 Avg. MAH: 1400  
 Height: 6"  
 FM Rating: IS & NI



NTN7372AR

Part Number: **NTN7372AR**  
 Charge: Rapid  
 Volts: 7.5V  
 Avg. MAH: 1300  
 Height: 6"  
 FM Rating: IS & NI

#### Nickel Metal Hydride

Part Number: **WPNN4013A**  
 Charge: Rapid  
 Volts: 7.5V  
 Avg. MAH: 2000  
 Height: 6"  
 FM Rating: (NA)



WPNN4013A

Part Number: **WPNN4037A**  
 Charge: Rapid  
 Volts: 7.5V  
 Avg. MAH: 1900  
 Height: 6"  
 FM Rating: IS & NI

#### Alkaline

Part Number: **NTN8122AR**  
 Charge: (NA)  
 Volts: 9V  
 Avg. MAH: (NA)  
 Height: 6"  
 FM Rating: (NA)



**MOTOROLA**

## **MTS 2000 Series**

# Service Aids

### **SERVICE AIDS**

#### **Radio Interface Box**

Links radio programming cable and computer interface together. Provides required voltage shift to enable communications between radio and computer. Requires computer interface cable, radio test and programming cable, and 9 volt snap type battery (6082728J01), order separately.



RLN4008B

**RLN4008B** Radio Interface Box



0180357A57

#### **Wall Mounted Power Supply**

Used to supply power to radio interface box, RLN4008B.

**0180357A57** Wall Mounted Power Supply, 110 Volts

**0180358A56** Wall Mounted Power Supply, 220 Volts

### **SERVICE AIDS**

#### **Computer Interface Cable**

Used to connect computer's serial port to Radio Interface Box.

**3080369B71** Cable, RIB to 25 pin D

**3080369B72** Cable, RIB to 9 pin D



3080369B71

#### **Battery Eliminator**

The Battery Eliminator acts like a battery with a cable to access a DC external power supply. It is ideal to inspect transmitters and receivers on incoming radios. Reverse supply polarity protection and input fuse protection are provided.

**RLN1014A** Battery Eliminator



RLN1014A

#### **Radio Test and Programming Cable**

Used with Portable Radio Test Set, RTX4005B, for transmitter, receiver alignment and performance checks. Also used in programming radio.

**RKN4035D** Radio Test and Programming Cable



**MOTOROLA**

## **MTS 2000 Series**

# **Service Aids, Manuals**

### **SERVICE AIDS**

#### **Cloning Cable**

Allows another radio to be duplicated from a master radio by transferring programmed data from one radio to another.

**RKN4036D** Cloning Cable

#### **Test Fixture**

Used for trouble shooting radio when housing is removed.

**RLN1018A**  
Test Fixture



### **SERVICE AIDS**

#### **Programming Software**

Utilizing your personal computer, this software enables you to add or reprogram frequencies as your requirements change. Requires interface box and appropriate cables, must be ordered separately.

**RVN4097M** Programming Software

#### **Key Loader Interface Cable**

Interfaces Key Loader to radio for programming.

**TDN9390D** Key Loader Interface Cable

### **REFERENCE MANUALS**

<b>6881200C15</b>	Theory and Troubleshooting Manual
<b>6881200C25</b>	Maintenance Manual
<b>6881200C40</b>	Maintenance Manual
<b>6881072C15</b>	Operator Manual I
<b>6881072C45</b>	Operator Manual II, III

# mt 2000 / mt 32000

HT1000, JT1000, MTX8000 & MTX9000 (Also Compatible)

## Remote Speaker Microphones (RSM)

Allows you to talk and listen without removing the radio from the belt case or charger. Ideal for high noise level environments.

These water resistant microphones include 6.0' coil cord assembly, 3.5mm earjack, swivel clip and quick disconnect latch.

**NMN6193B** Remote Speaker Microphone

**NMN6191B** Noise Cancelling Remote Speaker Microphone



NMN6193B

## Public Safety Speaker Microphones (PSM)

Public Safety Speaker Microphones include straight cord assembly, 3.5mm earjack, swivel clip, quick disconnect latch, antenna connector, and receiver, audio high/low volume push button. Antenna must be

ordered separately. Use radio antennas on page 34.

**NMN6228C** 30" Noise-Cancelling Public Safety

Speaker/Microphone, straight cord

**NMN6243B** 18" Noise-Cancelling Public Safety

Speaker/Microphone, straight cord

**NMN6244B** 24" Noise-Cancelling Public Safety

Speaker/Microphone, straight cord

## RSM Accessories

### Epaulet Strap

Black leather epaulet strap secures remote speaker microphone to epaulet straps on shirt or jacket and accommodates back clip in leather cut-outs. Snap closure secures remote speaker microphone cord to allow reliable communications in hostile environments.

**RLN4294A** Epaulet Strap, Velcro

**RLN4295A** Epaulet Strap, small clip



RLN4294A



RLN4295A

## Surveillance Kits

Surveillance accessories allow the user to privately receive communications with the earpiece and are ideal when environments require discrete communications.

The following surveillance accessories require the **BDN6676D** (3.5 mm threaded adapter jack) that attaches to the radio, unless being used with speaker/microphone.

Earpiece Assembly with Standard Earphone and Urethane Earloop (1 Wire)

**BDN6664A** Beige

**BDN6665A\*** Beige

**BDN6726A** Black

**BDN6727A\*** Black

Earpiece Assembly (receive only) with Volume Control and Urethane Earloop (1 Wire)

**BDN6666A** Beige

**BDN6728A** Black

Earpiece Assembly with Microphone and Push-To-Talk Combined (2 Wire)

**BDN6667A** Beige

**BDN6669A** Beige\*

**BDN6729A** Black

**BDN6731A** Black\*



BDN6667A

Earpiece Assembly with Microphone and Push-To-Talk Separate (3 Wire)

**BDN6668A** Beige

**BDN6670A** Beige\*

**BDN6730A** Black

**BDN6732A** Black\*



BDN6668A

**BDN6676D** 3.5mm Jack Adapter with Quick Disconnect Latch

\*Extra Loud Earphone (exceeds OSHA limits)



1-WIRE



2-WIRE



3-WIRE

## Surveillance Kit Accessories

**5080369E38** Standard Earpiece Assembly (earphone, earloop, eartip)

**5080369E39** Extra Loud Earpiece Assembly (earphone, earloop, eartip)

**5080369E40** Plastic Urethane Earloop

**5080369E41** Wire Earloop

**5080371E69** Small Rubber Eartip

**5080371E73** Standard Rubber Eartip

# mt 2000 / mt 32000

HT1000, JT1000, MTX8000, MTX9000 (Also Compatible)

## Noise Kits

Lightweight translucent tube attaches to Motorola surveillance accessories. Clothing clip prevents the accessory from being pulled from the ear due to body movement or head rotation.

**NTN8370A** Extreme Noise Kit, includes 2 foam earplugs for loud environments, provides 24dB noise protection

**NTN8371A** Low Noise Kit, includes rubber eartip for low noise environments

**5080384F72** Replacement Foam Plugs; pack of 50 (for use with NTN8370A)



NTN8370A

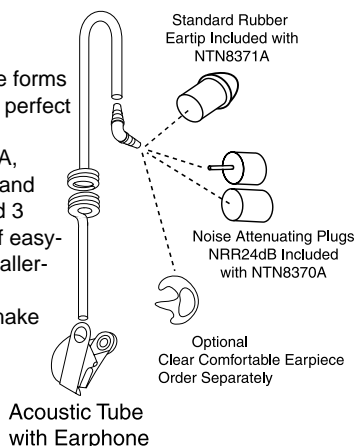
## Clear Comfortable Earpiece

The clear comfortable earpiece forms to the inside of your ear and is perfect for low noise environments.

Compatible with the NTN8371A, clear acoustic tube assembly, and most surveillance kits (1, 2 and 3 wire). This earpiece is made of easy-to-clean chemically inert, hypoallergenic material.

There are 3 items needed to make this product work:

1. Clear Comfortable Earpiece
2. Clear Acoustic Tube Assembly (NTN8371A)
3. Surveillance Kits



Acoustic Tube with Earphone

- RLN4760A** Small Custom Earpiece, right ear
- RLN4763A** Small Custom Earpiece, left ear
- RLN4761A** Medium Custom Earpiece, right ear
- RLN4764A** Medium Custom Earpiece, left ear
- RLN4762A** Large Custom Earpiece, right ear
- RLN4765A** Large Custom Earpiece, left ear

## Ear Microphone System (EMS)

This compact unit picks up the voice through bone vibrations in the ear canal. The miniature earpiece leaves the hands free and face unobscured when worn by rescue and hazard protection personnel, who still retain the ability for direct hearing and speaking. For personnel required to wear breathing apparatus, communications with protective masks are as clear as communications without. And its high speech clarity under noisy environments makes it ideal for high noise environments. Available in PTT or Voice Activated (VOX). Interface Module needs to be ordered separately for EMS to work

**BDN6677A\*** Ear Microphone for Standard Noise Levels (up to 95dB0, black)

**BDN6678A\*** Ear Microphone for Standard Noise Levels (up to 95dB0, beige)

**BDN6641A\*** Ear Microphone for High Noise Levels (up to 105dB)

\*FACTORY MUTUAL APPROVED



BDN6641A

## Interface Module For EMS

**BDN6708B\*** Push-To-Talk Interface Module  
**BDN6671B\*** Push-To-Talk or Voice-Activated Interface Module

\*FACTORY MUTUAL APPROVED

## Optional Accessories For EMS

**0180358B38\*** Remote Push-To-Talk Ring Switch (see photo below)

**0180300E83\*** Remote Push-To-Talk Body Switch

**0180300E25** Earguard with Adjustable Loop; secures ear mic in ear

**0180358B32** Earholder, black size small; secures ear mic in ear

**0180358B33** Earholder, black, size medium; secures ear mic in ear

**0180358B34** Earholder, black, size large; secures ear mic in ear

**0180358B35** Earholder, clear, size small; secures ear mic in ear

**0180358B36** Earholder, clear, size medium; secures ear mic in ear

**0180358B37** Earholder, clear, size large; secures ear mic in ear

**4280369E44** Replaceable Belt Clip with Screws

**5080358B28** Eartips, black, size medium (10 per pack)

**5080358B29** Eartips, black, size large (10 per pack)

**5080358B30** Eartips, beige, size medium (10 per pack)

**5080358B31** Eartips, beige, size large (10 per pack)



BDN6708B



0180300E25



0180358B33



0180358B38

## Flexible Ear Receiver

**BDN6719A** Ear Receiver with 3.5 mm Threaded Plug, requires adapter BDN6676D unless being used with speaker microphone



BDN6719A

## Pellet Style Earpieces

**BDN6780A** Single Earbud with Microphone and Push-To-Talk, requires adapter BDN6676D, unless being used with speaker microphone

**BDN6781A** Single Earbud, receive only; requires adapter BDN6676D unless being used w/speaker microphone



# Audio Accessories

## CommPort: Integrated Microphone/Receiver System

The CommPort system contains a miniature microphone and receiver, and connects to your two-way radio, making it possible to hear and speak under the most adverse conditions.

**NTN1624A** Integrated Ear Microphone/Receiver

System w/Palm PTT (includes BDN6676D 3.5mm Jack Adapter)

**NTN1625A** Integrated Ear

Microphone/Receiver System

(includes BDN6676D 3.5mm Jack Adapter)

**NKN6510A** Replacement Cable for NTN1624

**NKN6508A** Replacement Cable for NTN1625

**NTN8821A** CommPort Maintenance Kit, Includes

Replacement Ear Tubes (Quantity 10), Windscreens

(Quantity 2) and Microphone Seal Strips (Quantity 10)

**NTN8986A** Adhesive Pads (Quantity 90) for secure

attachment to ear

**NTN8998A** Ear Straps (Quantity 10), for secure attachment to ear

**4285838B01** Replacement Collar Clip

**4202006A01** Replacement Back Cover Clip



NTN1624A

## Lightweight Headsets

Lightweight headsets have in-line push-to-talk switch. Requires **BDN6676D** Audio Adapter.

**NMN6245A** Single Muff Lightweight Headset with In-line Push-To-Talk Switch (requires BDN6676B adapter)

**NMN6246A** Ultralite Headset with Boom Microphone and In-line Push-To-Talk Switch; ear bud style receiver (requires BDN6676B adapter)

**NMN1020A** Lightweight Headset with Boom Microphone to be worn on a helmet or safety glasses. Includes **NKN6498A** adapter cable. Requires **BDN6676D** adapter. FM approved.



NMN6245A



NMN6246A

**NKN6498A** Headset Adapter Cable for use with **NMN1020A**

## Medium Weight Headsets

Medium Weight Headsets offer high-clarity sound with the additional hearing protection necessary for providing consistent, clear two-way radio communications in harsh, noisy situations.

**NMN6258A** Medium Weight Headset, over the head with In-Line PTT, Noise Reduction Rating = 24dB

**NMN6259A** Medium Weight Headset, behind the head with In-Line PTT, Noise Reduction Rating = 24dB

## Heavyduty Headsets

Heavyduty headsets include noise-cancelling boom microphones and can be worn with or without a hardhat. Headsets are for use in noise levels up to 125 dB. The Push-To-Talk switch is located on the earcup.

The VOX module is contained within the headset on voice activated units. Heavyduty headsets require radio adapter cable **BDN6673B** to be ordered separately.

**BDN6645A** Push-To-Talk Headset with Boom Microphone; requires adapter cable **BDN6673B**; noise reduction rating=24dB

**BDN6635B** Voice-activated Headset with Boom Microphone; requires adapter cable **BDN6673B**; noise reduction rating=24dB

**BDN6636B** Voice-activated Headset with Throat Microphone; requires adapter cable **BDN6673B**; noise reduction rating=24dB

**BDN6673B** Radio Adapter Cable



BDN6645A  
(shown with BDN6673B)



BDN6635B  
(shown with BDN6673B)



BDN6636B  
(shown with BDN6673B)

**ORDER TODAY!**

**1-800-422-4210**

Federal Government Customers Call 1-800-826-1913



# mt2000 / mt32000

HT1000, JT1000, MTX8000, MTX9000 (Also Compatible)

## Carrying Cases

A variety of carrying accessories are available for your comfort and convenience. The carrying cases are available in sizes designed to fit your radio and battery and permit audio to be heard clearly.

## Standard Belt Loop Carrying Cases

**NTN7238A** Leather Carry Case with Belt Loop and T-Strap for use with high capacity battery

**NTN7239A** Leather Carry Case with Belt Loop and T-Strap for use with ultra-high capacity battery

**NDN4018B** DTMF Leather Carry Case with Belt Loop for use with high and ultra-high capacity batteries

**NTN7247A** Nylon Carry Case with Belt Loop and Strap for use with high and ultra-high capacity batteries



NTN7247A



NTN8038A

NTN8036A

## High Activity Swivel Carrying Cases

The following carrying cases have a high activity swivel "D" button and belt loop. To remove case from belt loop, rotate case 180 degrees and slide case upward, out of the holder. Case stays on belt more securely in high activity applications versus standard swivel cases while allowing the radio to swing freely with body movements.

**NTN8035B** Leather Carry Case with 2.5" High Activity Swivel Belt Loop and T-Strap for use with high capacity battery

**NTN8037B** Leather Carry Case with 3.0" High Activity Swivel Belt Loop and T-Strap for use with high capacity battery

**NTN8036B** Leather Carry Case with 2.5" High Activity Swivel Belt Loop and T-Strap for use with ultra-high capacity battery

**NTN8038B** Leather Carry Case with 2.5" High Activity Swivel Belt Loop and T-Strap for use with ultra-high capacity battery

**NDN4017B** Leather Carry Case with 3.0" High Activity Swivel Belt Loop and T-Strap for use with high and ultra-high capacity battery

## Carrying Case Accessories

### T-Strap

**NTN7782A** T-Strap for leather Carry Cases  
**NTN7376A** T-S trap for nylon carry cases

### Belt Loops

**NTN8039B** 2.5" High Activity Swivel Belt Loop  
**NTN8040B** 3.0" High Activity Swivel Belt Loop

### Belt

**4200865599**  
 3.0" Wide Black Belt



420086599

### Carrying Strap

**NTN5243A**  
 Shoulder Carry Strap, allows easy carrying of radio in a case when not wearing a belt



NTN5243A



**MOTOROLA**

Accessories and Aftermarket Division

# Carrying Accessories

## Swiveller

TDN9684A Swiveller, includes clip button, holster and belt

### Swiveller Replacement Accessories

TDN9690A Clip button, mounts on battery

TDN9688A Holster, compatible with all buttons

TDN9687A Belt, 2" nylon



TDN9684A



TDN9687A

## Chest Pack

Carry the radio mounted on chest with adjustable straps over shoulders and around waist.

HLN6602A Universal Chest Pack with Radio Holder, Pen Holder, and Velcro Secured Pouch

1505596Z02 Replacement Strap for HLN6602A



HLN6602A

## Break-A-Way Chest Pack

All of the same features as the original chest pack (HLN6602A) plus break-a-way tabs that allow the entire pack to be pulled off with approximately 10 lbs. of pressure.

Perfect for railroads, manufacturing locations, construction sites and anywhere safety is a concern.

RLN4570A Break-A-Way Chest Pack



RLN4570A

ORDER TODAY!

1-800-422-4210

Federal Government Customers Call 1-800-826-1913



TDN9327A

## RadioPAK™

RLN4815A Universal RadioPAK™ with Radio Holder. Worn around waist with adjustable belt. Includes attached 6" by 8" zippered pouch for other job necessities.

4280384F89 Universal RadioPAK™ belt lengthener; fits waists larger than 40"



RLN4815A

## Portable Radio Hanger

The portable radio hanger slides over and hangs from the door panel in a vehicle.

The radio's belt clip slides onto the portable hanger allowing convenient, easy mounting. Two sizes are available to fit door panels.

TDN9327A Portable Radio Hanger for door panels up to 2.75"

TDN9373A Portable Radio Hanger for door panels up to 3.25"

# mt2000/mts2000

HT1000, JT1000, MTX8000, MTX9000 (Also Compatible)

## Nickel Cadmium

Part Number: NTN7143CR  
 Capacity: High  
 Avg. mAh: 1200  
 Part Number: NTN7144AR  
 Capacity: Ultra High  
 Avg. mAh: 1400  
 Part Number: NTN7146AR  
 Capacity: High  
 Avg. mAh: 1200  
 FM Rating:\* IS & NI  
 Part Number: NTN7147AR  
 Capacity: Ultra High  
 Avg. mAh: 1400  
 FM Rating:\* IS & NI  
 Part Number: NTN7149BR  
 Capacity: Ultra High  
 Avg. mAh: 1400  
 FM Rating:\* CSA

Part Number: NTN7150AR  
 Avg. mAh: 1200  
 FM Rating:\* MSHA  
 Part Number: NTN7341AR  
 Capacity: Ultra High  
 Avg. mAh: 1400  
 FM Rating:\* IS & NI  
 Part Number: NTN7372AR  
 Capacity: Ultra High  
 Avg. mAh: 1300  
 FM Rating:\* IS & NI

FM Rating:\*  
 IS = Intrinsically Safe  
 NI = Non Incendiary CSA-MSHA

## Nickel Metal Hydride

Part Number: WPNN4013A  
 Capacity: Ultra High  
 Avg. mAh: 2000  
 FM Rating: (NA)

Part Number: WPNN4037A  
 Avg. mAh: 1900  
 FM Rating: IS & NI

## Alkaline

Part Number: NTN8122AR  
 Volts: 9V, 12 Cell Battery Pack



## Vehicular Battery Eliminator

The battery eliminator saves useful battery life by drawing power from a vehicle's battery. Simply replace the portable battery with the battery eliminator and plug in the cigarette lighter adapter. RLN4335A Battery Eliminator, vehicular



**MOTOROLA**

Accessories and Aftermarket Division

# Batteries and Chargers

## Chargers

Single unit chargers are available in either desktop or compact styles for small system users. Multiple unit chargers can be wall or rack mounted and are ideal for multi-shift operations. All chargers are specifically designed to meet the requirements of batteries manufactured by Motorola. All chargers listed are rapid rate and will fully charge your battery in less than 3 hours.



NTN1168A

## Single Unit Desktop Chargers—Rapid Rate

The desktop charger has the power supply built into the base unit and will charge both NiCd and NiMH batteries.

**NTN1168A** Rapid Rate Desktop Charger, 110V

**NTN1169A** Rapid Rate Desktop Charger, 220V (supplied with 2 prong cord)

**NTN1170A** Rapid Rate Desktop Charger, 240V (supplied with 3 flat prong cord)

## Single Unit Compact Bi-Chemistry Chargers—Rapid Rate

The bi-chem charger has the power supply built into the line cord giving the user a smaller base unit for easier storage. It also utilizes an enhanced charging algorithm that will help maximize the life of your batteries. It will rapid rate charge both NiCd and NiMH batteries.

**RPX4747A** Compact Bi-Chem Charger, 110V

**RPX4748A** Compact Bi-Chem Charger, 230V Euro plug

**RPX4749A** Compact Bi-Chem Charger, 230V UK plug

## Multiple Unit Charger (MUC)

Multi-unit chargers offer six pockets that can be used to rapid charge 1 to 6 batteries simultaneously. The batteries can be charged with the radios or separately. They will rapid rate charge both NiCd and NiMH batteries.

**NTN1177C** Six Pocket, rapid rate 110V

**NTN1178C** Six Pocket, rapid rate, 220V (supplied with 2 prong cord)

**NTN1179C** Six Pocket, rapid rate, 240V (supplied with 3 flat prong cord)

## MUC Accessories

**NLN7967A** Wall Mount

NTN1177C



## Motorola Conditioning Charger (MCC)

The MCC will help extend battery life and enhance battery operation. It will safely condition and charge your specified nickel cadmium (NiCd) and nickel metal hydride (NiMH) batteries in approximately an hour.

**WPPN4002AR** 110V AC Base Charge Unit Only (order adapter plate separately)

**WPPN4006AR** 220V AC Base Charge Unit Only (order adapter plate separately)

**WPPN4065AR** Multi-Unit Conditioning Charger Four Station Base 110V (order adapter plate separately)

**WPPN4004AR** 7 Volt Adapter Only

**WPLN4090AR** MCC Kit, 110V AC; includes both base unit and 7V adapter

**WPLN4091AR** MCC Kit, 220V AC; includes both base unit and 7V adapter  
**3080384G15** Cigarette Lighter Adapter Cord; MCC multi-unit conditioning charger



WPPN4002AR

**ORDER TODAY!**  
**1-800-422-4210**

Federal Government Customers Call 1-800-826-1913



# mt2000 / mts2000

HT1000, JT1000, MTX8000, MTX9000 (Also Compatible)



WPLN4079AR

## Battery Maintenance System<sup>Plus</sup> (BMS<sup>Plus</sup>)

Increase the useful life of your batteries.

Using interchangeable battery adapters (sold separately), the BMS<sup>Plus</sup> is capable of charging and discharging, analyzing, conditioning and cycle test on batteries; tracking battery voltage and capacity (mAh).

The BMS<sup>Plus</sup> offers a 3 year warranty. Its easy-to-use design supports hundreds of 2-way, cellular, and camcorder batteries with printer port\* (Serial-RS-232C port – uses female 9-pin to male 25-pin cable).

WPLN4079AR Six Station, 110V AC, 50/60 Hz

WPLN4080AR Six Station, 230V AC, 50/60 Hz

\*Compatible with the STAR Micronics SP200 series printers, available from any STAR Micronics distributor, and other printers with STAR emulation.



TDN9435C

## BMS<sup>Plus</sup> Adapter

TDN9435C Adapter Compatible with NiCd Batteries Only

CDN6364A Adapter Compatible with Both NiCd and NiMH Batteries

## Battery Optimizing System (BOS)

No other battery analyzer matches the speed, effectiveness, accuracy, versatility and ease-of-use of the Battery Optimizing System. Best of all, the Battery Optimizing System helps lower your battery costs because you will get the maximum performance possible from each battery when it is maintained by the Battery Optimizing System.

- Accommodates NiCd, NiMH, Li-Ion and SLA
- Impedance-test checks battery condition in six seconds
- Proprietary recondition cycle restores NiCd and NiMH batteries
- Printer output for reports and labels, computer interface
- High power—programmable from 100mA to 2 amp per station
- Interchangeable adapters accommodate all major batteries
- Simple, intuitive user interface with keypad (adapter sold separately)

WPLN4071AR Four Station, 110V AC, 50/60 Hz

WPLN4073AR Four Station, 230V AC, 50/60 Hz



WPLN4071AR

## BOS Adapter

RL-72403 Standard Adapter

ORDER TODAY!  
1-800-422-4210

Federal Government Customers Call 1-800-826-1913

# Chargers and Antennas

*Injection molded for rugged environments. Each antenna is tested and tuned to give maximum power and performance.*

## Flexible Whip Antennas

Antenna has a one-piece finish and steel core for optimal strength and better radiation characteristics. Provides more comfort when radio is worn on the belt.

- 8505241U05 Flexible Whip, 403-520MHz, 6"
- 8505241U03 Flexible Whip, 806-869MHz, 7"
- 8505241U04 Flexible Whip, 896-941MHz, 7"

## Helical Antennas

Helical are sturdy and dependable for years of failsafe communication. Each antenna is designed and built to quality standards. The skirt at the base of the connector helps to seal out damaging elements. Connector is made of plated brass material for long life.

- 8505644V01 Helical, 136-151MHz, 6"
- 8505644V02 Helical, 151-162MHz, 6"
- 8505644V03 Helical, 162-174MHz, 6"
- 8505644V04 Helical, 403-435MHz, 3"
- 8505644V05 Helical, 435-470MHz, 3"
- 8505644V06 Helical, 470-520MHz, 3"

## Dipole Antennas

Dipole molded antennas are injection molded in lasting polyurethane. The wide skirt at the bottom of the connector protects against damaging environmental elements. The dipole antenna is ideal when strong and solid signal clarity is demanded.

- NAF4000B Dipole, 806-869MHz, 8"
- 8505884R02 Dipole, 896-941MHz, 8"

## Wideband Antenna

Wideband antenna is ideal when radio is used in different frequencies since one antenna will cover all ranges.

- 8505518V01 Wideband, 136-174MHz, 6"

## Stubby Antenna

This quarterwave stubby antenna is ideal when radio is worn on the belt because the short antenna is non-obtrusive. This is a broad band antenna that can be used for both 800MHz and 900MHz applications.

- 8505241U06 Stubby, 806-941MHz, 4"



**MOTOROLA**

Accessories and Aftermarket Division

