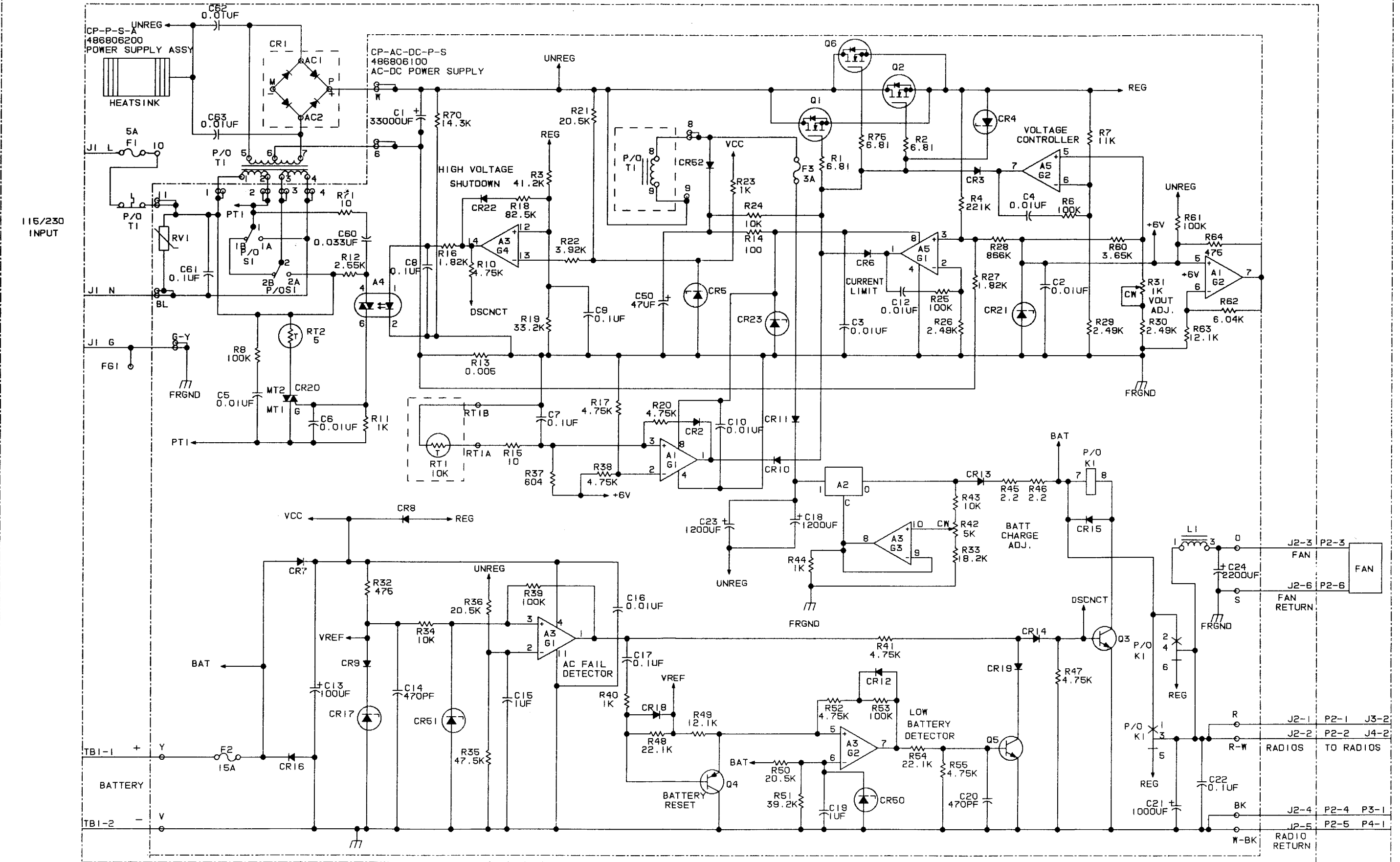


NOTE: THE HPN9005 POWER SUPPLY IS MADE BY STAR WERKS, INC., AND IS USED IN THE GR00 X-PAND REPEATER.



Parts List

HPN9005 GR500 Power Supply

PL-941033-O

REFERENCE SYMBOL	STAR WERKS, INC. PART NO.	DESCRIPTION
		terminal, plug: unless otherwise stated
1 thru 4	245775100	
6	355310400	
8, 9	245775100	
11	245775100	
BL	245775100	
BK	245380900	
G-Y	245775100	
O	245380800	
R	245380900	
R-W	245380900	
RT1A	245380600	
RT1B	245380600	
S	245380800	
V	245380900	
W	355310400	
W-BK	245380900	
Y	245380900	
		integrated circuit: (see note)
A1	287114400	LM258N
A2	287133200	MC7805BT
A3	287112400	LM224J
A4	285713200	MOC3023T
A5	287114400	LM258N
		capacitor, fixed: uF +/-1%; 50 V: unless otherwise stated
C1	273138810	33,000; 40 V; electrolytic
C2 thru 6	272458000	0.01
C7 thru 9	272450900	0.1
C10	272458000	0.01
C12	272458000	0.01
C13	273113200	100; 25 V; electrolytic
C14	272465000	470 pF
C15	272450700	1
C16	272458000	0.01
C17	272450900	0.1
C18	273125100	1200; 16 V; electrolytic
C19	272450700	1
C20	272465000	470 pF
C21	273121300	1000; 35 V; electrolytic
C22	272450900	0.1
C23	273125100	1200; 16 V; electrolytic
C24	273125800	2200; 16 V
C50	273112500	47; 50 V; electrolytic
C60	272468200	0.033; 200 V
C61	271451700	0.1; 250 V
		diode: (see note)
CR2, 3	281110100	1N4148
CR4	283623500	1N4744A
CR5	283532500	1N823; 6.2 V; zener
CR6	281110100	1N4148
CR7, 8	281222200	1N4003
CR9, 10	281110100	1N4148
CR11	281242000	BYV27-200
CR12	281110100	1N4148
CR13	281242000	BYV27-200
CR14	281110100	1N4148
CR15	281222200	1N4003
CR16	281303500	MR756
CR17	283541100	1N4736A; 6.8 V; zener
CR18, 19	281110100	1N4148
CR20	286503800	MAC223A8
CR21	283532500	1N823; 6.2 V; zener
CR22	281110100	1N4148
CR23	283651500	1N4751A; 30 V; zener
CR50	283627300	1N4745ARL; 16 V; zener
CR51	283651500	1N4751A; 30 V; zener
CR52	281242000	BYV27-200
		fuse:
F2	248326500	15 A
F3	248319200	3 A
		relay:
K1	254331600	DPDT, 12 V

HPN9005 GR500 Power Supply

PL-941033-O

REFERENCE SYMBOL	STAR WERKS, INC. PART NO.	DESCRIPTION
		choke, filter:
L1	441165000	
		transistor: (see note)
Q1, 2	285226900	MTH40N10
Q3	284106100	2N3904
Q4	284305600	2N3906
Q5	284106100	2N3904
Q6	285226900	MTH40N10
		resistor, fixed: +/-1%; 1/4 W: unless otherwise stated
R1, 2	263452100	6.81 Ω
R3	263467800	41.2 k
R4	263471400	221 k
R6	263469600	100 k
R7	263465100	11 k
R8	263469600	100 k
R10	263463200	4.75 k
R11	263459700	1 k
R12	263564400	2.55 k; 1 W
R13	266310000	0.005 Ω ; 3 W
R14	263455700	100 Ω
R15	263452400	10 Ω
R16	263460900	1.82 k
R17	263463200	4.75 k
R18	263469300	82.5 k
R19	263467300	33.2 k
R20	263463200	4.75 k
R21	263466400	20.5 k
R22	263462700	3.92 k
R23	263459700	1 k
R24	263464800	10 k
R25	263469600	100 k
R26	263461600	2.49 k
R27	263460900	1.82 k
R28	263474300	866 k
R29, 30	263461600	2.49 k
R31	267511200	1 k; 1/2 W; variable
R32	263458200	475 Ω
R33	263466200	18.2 k
R34	263464800	10 k
R35	263468100	47.5 k
R36	263466400	20.5 k
R37	263458800	604 Ω
R38	263463200	4.75 k
R39	263469600	100 k
R40	263459700	1 k
R41	263463200	4.75 k
R42	267511700	5 k; 1/2 W; variable
R43	263464800	10 k
R44	263459700	1 k
R45, 46	263760300	2.2 Ω
R47	263463200	4.75 k
R48	263466500	22.1 k
R49	263465200	12.1 k
R50	263466400	20.5 k
R51	263467600	39.2 k
R52	263463200	4.75 k
R53	263469600	100 k
R54	263466500	22.1 k
R55	263463200	4.75 k
R60	263462600	3.65 k
R61	263469600	100 k
R62	263463100	6.04 k
R63	263465200	12.1 k
R64	263458200	475 Ω
R70	263465500	14.3 k
R71	263452400	10 Ω
R75	263452100	6.81 Ω
		thermistor:
RT2	267619800	5 Ω ; 1/4 W
		varistor:
RV1	267635500	275 V; V275LA40A
		switch:
S1	251370500	115/230 V

note1: For optimum performance, diodes, transistors, and integrated circuits must be ordered from Star Werks, Inc.

Schematic Diagram and Parts List for HPN9005 Power Supply for the GR500 X-Pand Repeater