

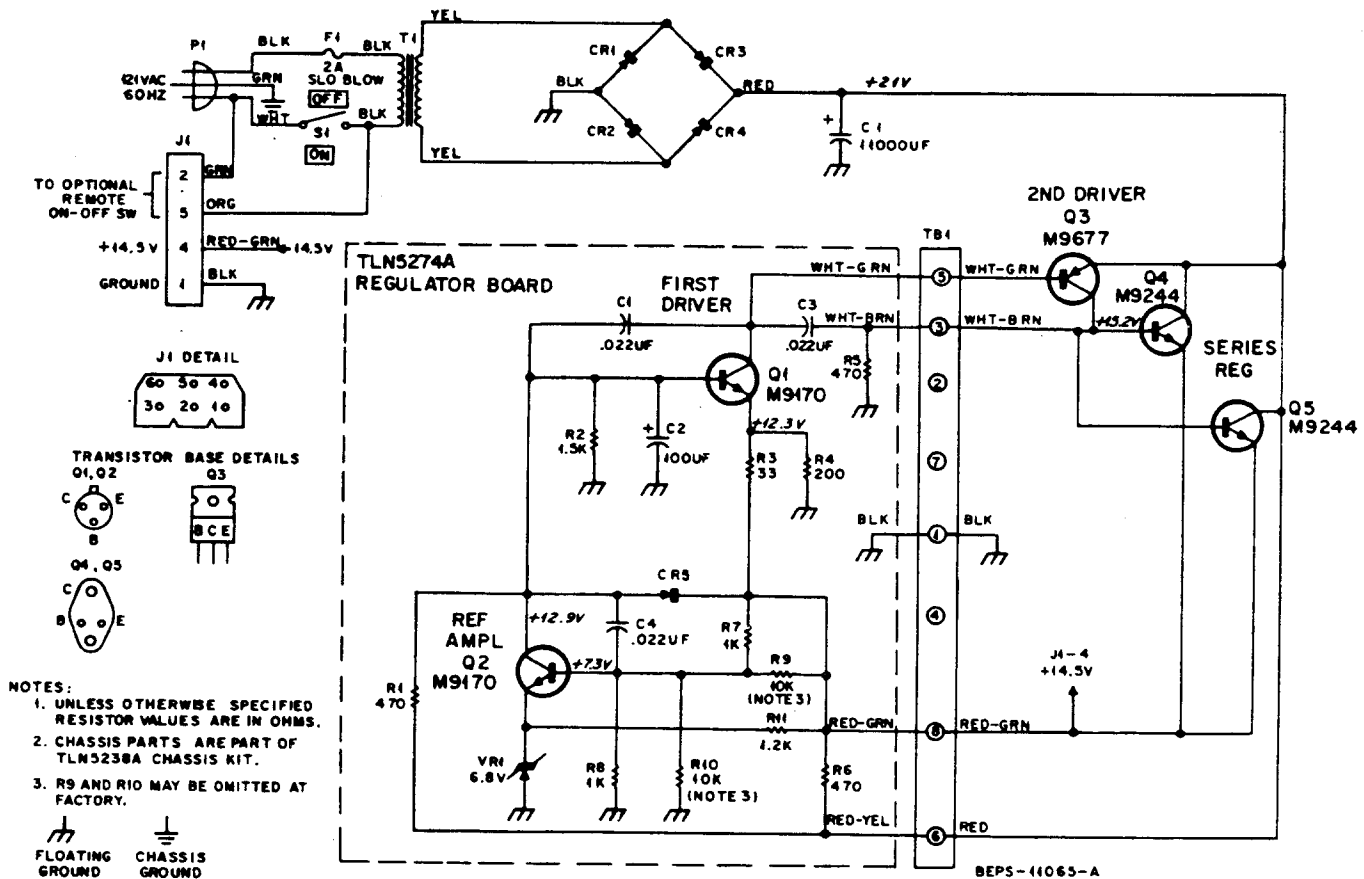
BASE STATION POWER SUPPLY

MODEL TPN1136A

(EXCERPTED FROM MOXY INSTRUCTION MANUAL 6881034E55-A)

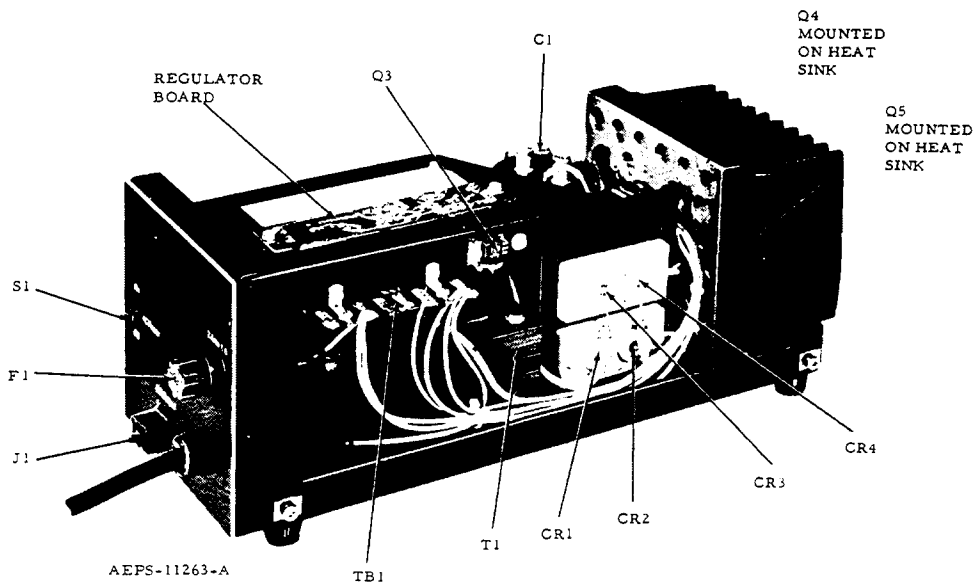
FUNCTION

Provides the entire radio with regulated +14.5 V DC when used in a 120 V AC primary power fixed installation.

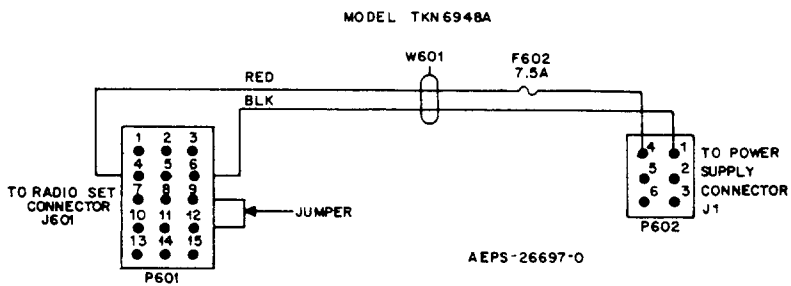


BASE STATION POWER SUPPLY

68P81029E96-E
1/31/79-NPC



CABLE DETAIL



MODEL TABLE

MODEL	SUB-MODEL	VERSION	DESCRIPTION
TPN1136A	TLN5274B	0	REGULATOR BOARD
	TRN6282A	0	POWER SUPPLY CHASSIS
TKN6948A		0	POWER CABLE

EPS-17211-D

