

MAINTENANCE MANUAL
ORION™
MECHANICAL DRAWINGS AND PARTS LIST

TABLE OF CONTENTS

	<u>Page</u>
INTRODUCTION	2
LOCAL TYPE MOBILE RADIO (SCAN LOW POWER)	3
LOCAL TYPE MOBILE RADIO (SCAN HIGH POWER)	4
LOCAL TYPE MOBILE RADIO (SYSTEM LOW POWER)	5
LOCAL TYPE MOBILE RADIO (SYSTEM HIGH POWER)	6
REMOTE TYPE CONTROL UNIT (SCAN).....	7
REMOTE TYPE CONTROL UNIT (SYSTEM)	8
REMOTE TYPE MOBILE RADIO (LOW BAND).....	9
REMOTE TYPE MOBILE RADIO (LOW POWER)	10
REMOTE TYPE MOBILE RADIO (HIGH POWER).....	11
EUROPEAN FRONT MOUNT TYPE MOBILE RADIO (SCAN)	12
EUROPEAN CASSETTE MOUNT TYPE MOBILE RADIO (SCAN)	13
EUROPEAN FRONT MOUNT TYPE MOBILE RADIO (SYSTEM).....	14
EUROPEAN CASSETTE MOUNT TYPE MOBILE RADIO (SYSTEM).....	15
LOCAL TYPE CONTROL UNIT (SCAN)	16
LOCAL TYPE CONTROL UNIT (SYSTEM).....	17
REMOTE TYPE CONTROL UNIT (SCAN).....	18
REMOTE TYPE CONTROL UNIT (SYSTEM).....	19
CONTROL UNIT - TORQUE SETTINGS AND SEQUENCE SCAN (LOCAL)	20
CONTROL UNIT - TORQUE SETTINGS AND SEQUENCE SCAN (REMOTE).....	21
CONTROL UNIT - TORQUE SETTINGS AND SEQUENCE SYSTEM (LOCAL).....	22
CONTROL UNIT - TORQUE SETTINGS AND SEQUENCE SYSTEM (REMOTE)	23
LOW BAND (EXPLODED VIEW AND PARTS LIST)	24

Continued

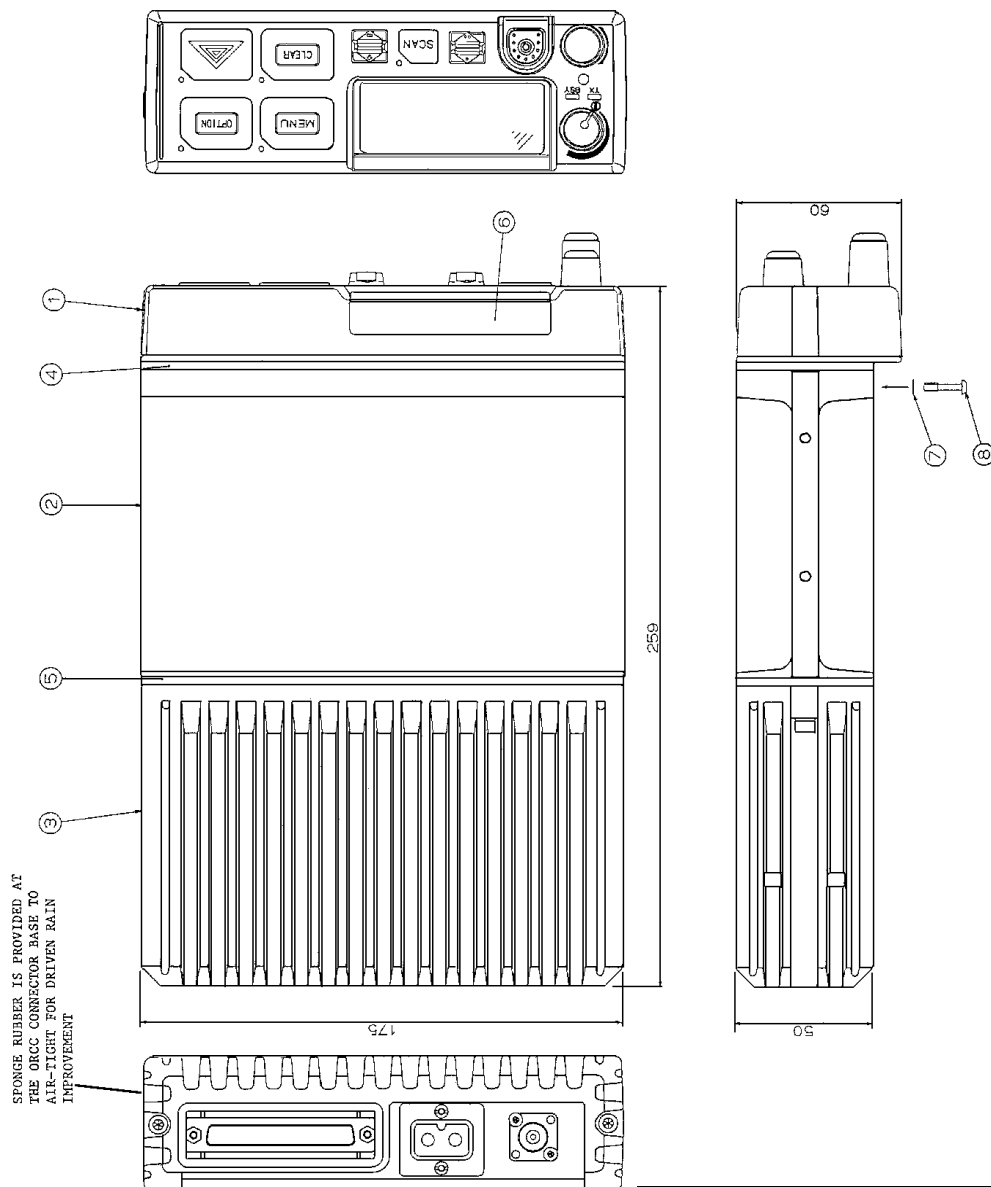
Continued

TABLE OF CONTENTS

	<u>Page</u>
LOW BAND - TORQUE SETTING AND SEQUENCE	26
SYNTHESIZER/RECEIVER/EXCITER (VHF)	29
SYNTHESIZER/RECEIVER/EXCITER (UHF, 800 MHz & 900 MHz)	30
SYNTHESIZER/RECEIVER/EXCITER (EXPLODED VIEW)	31
SYNTHESIZER/RECEIVER/EXCITER - TORQUE SETTINGS AND SEQUENCE	32
POWER AMPLIFIER UNIT (VHF)	33
POWER AMPLIFIER UNIT - TORQUE SETTINGS AND SEQUENCE (VHF)	34
POWER AMPLIFIER UNIT (UHF, 800 MHz & 900 MHz, HIGH POWER)	35
POWER AMPLIFIER UNIT (800 MHz & 900 MHz, LOW POWER)	36
POWER AMPLIFIER UNIT - TORQUE SETTINGS AND SEQUENCE (UHF, 800 MHz & 900 MHz)	37
OPTION NQZ-4881 MECHANICAL PARTS	38
MISCELLANEOUS PARTS	39
TRAY MOUNT BRACKET WITH HARDWARE KIT	40
FRONT MOUNT BRACKET WITH HARDWARE KIT	41
RAI MOUNTING BRACKET WITH HARDWARE KIT	42

INTRODUCTION

This maintenance manual provides Assembly Diagrams including exploded views and parts lists for all mechanical assemblies and parts associated with the **ORION** mobile radio (Low Band, VHF, UHF, 800 MHz & 900 MHz). Also included in this manual are Torque Settings and the Sequence to make these settings for the Control Units, Transmitter/Receiver Modules (TXRX) and Power Amplifier Units.

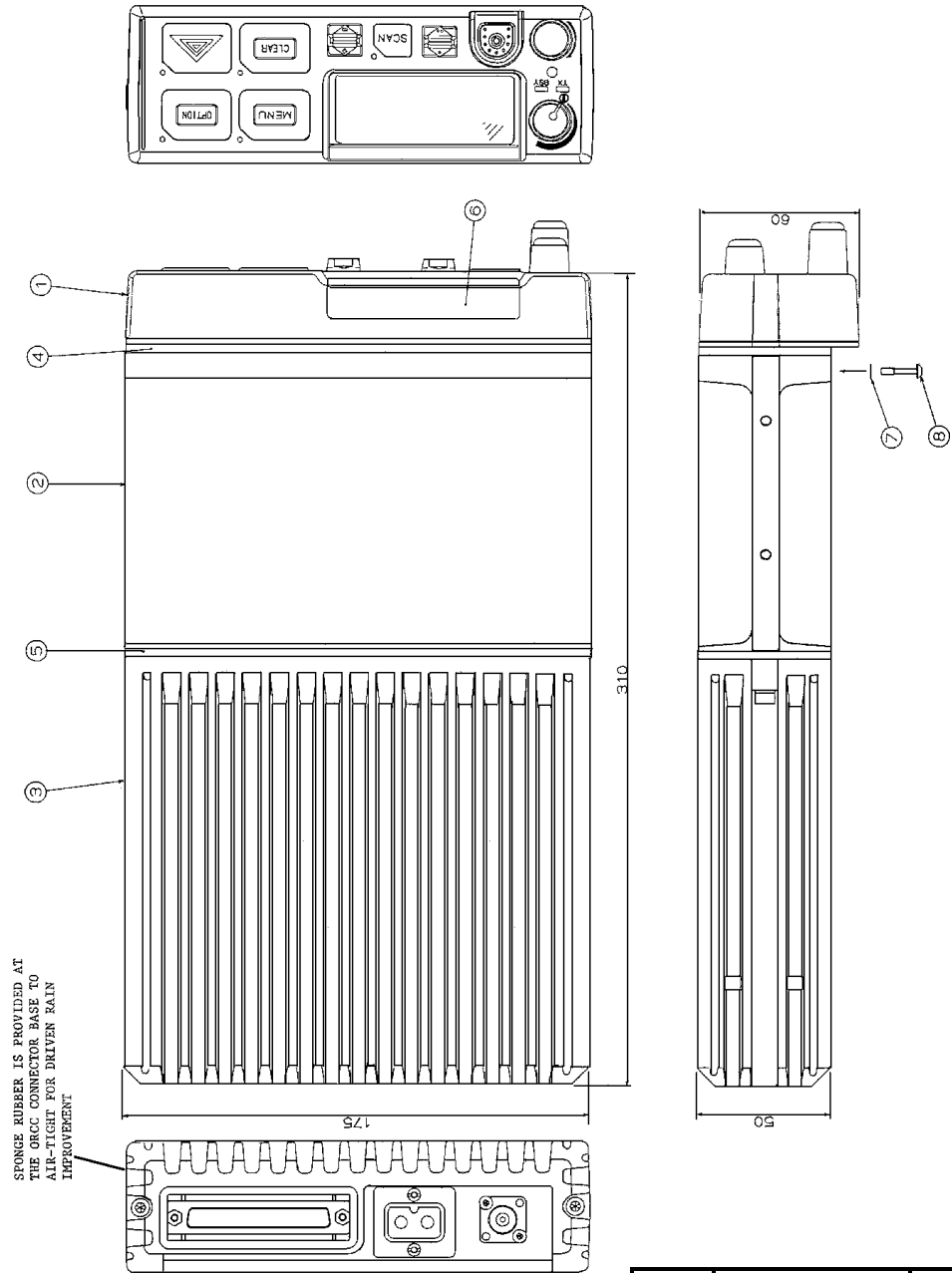


VHF (136-174 MHz)
 UHF (403-512 MHz)
 800 MHz
 900 MHz

Only

ITEM	PART NUMBER	DESCRIPTION
1	344A4581P1	CONTROL UNIT
2	344A4578P1/P2	TXRX (VHF) (SYNTH/RX/EX)
	344A4578P1-P4	TXRX (UHF) (SYNTH/RX/EX)
	344A4579P1	TXRX (800) (SYNTH/RX/EX)
	344A4580P1	TXRX (900) (SYNTH/RX/EX)
	344A4572P3/P4	POWER MODULE (VHF) (POWER UNIT)
3	344A4573P3/P4/P5	POWER MODULE (UHF) (POWER UNIT)
	344A4574P1	POWER MODULE (800) (POWER UNIT)
4	344A4575P1	POWER MODULE (900) (POWER UNIT)
5	19B802611P2	GASKET
5	19B802611P1	GASKET
6	19B802621P1	NAME PLATE
7	344A756P1	WASHER
8	344A4700P2	SCREW

LOCAL TYPE MOBILE RADIO (SCAN LOW POWER)



Available by special order only.

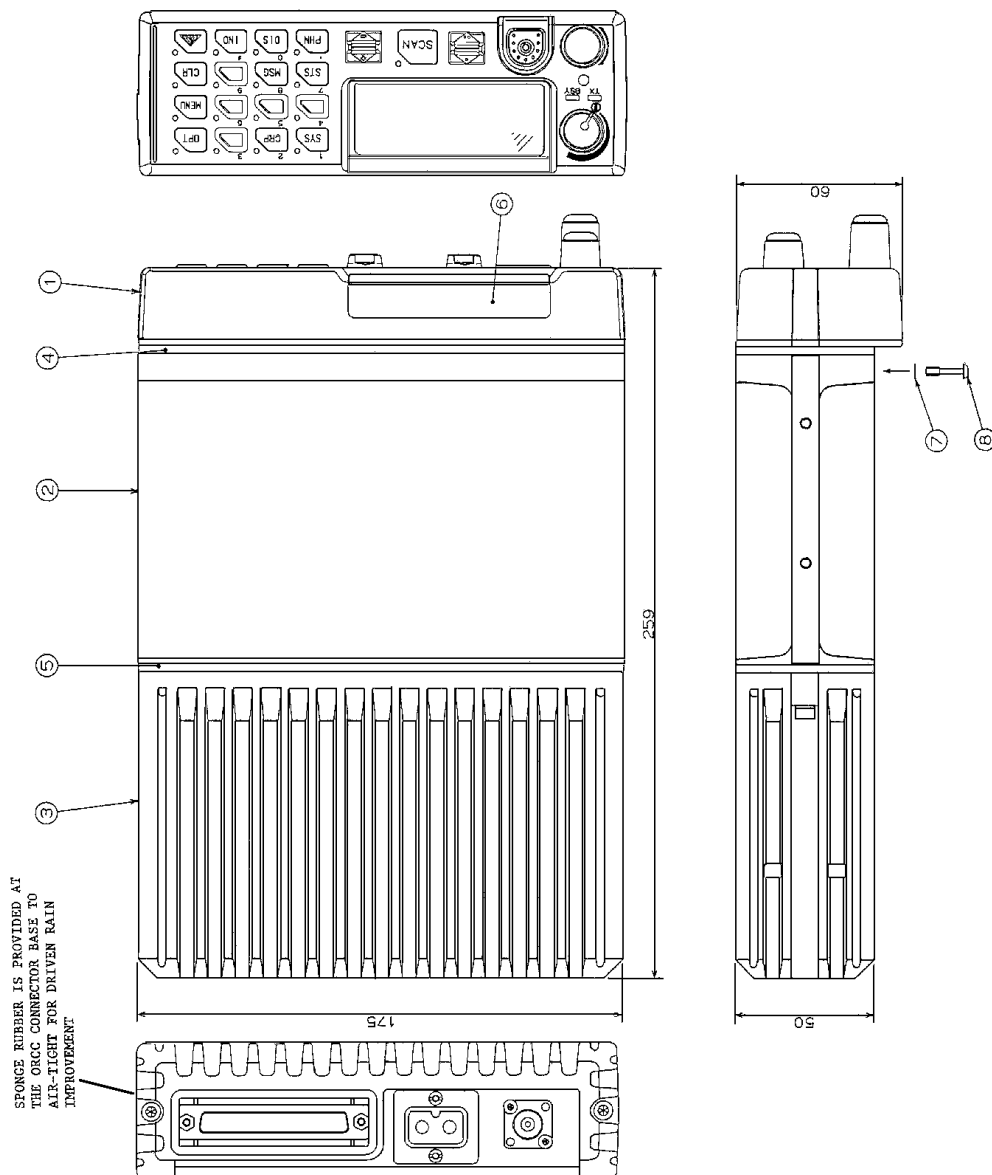
VHF and UHF only.

VHF (136-174 MHz)

UHF (403-512 MHz)

ITEM	PART NUMBER	DESCRIPTION
1	344A4581P1	CONTROL UNIT
2	344A4578P1/P2	TXRX (VHF) (SYNTH/RX/EX)
	344A4578P1-P4	TXRX (UHF) (SYNTH/RX/EX)
3	344A4572P5/P6	POWER MODULE (VHF) (POWER UNIT)
	344A4573P6/P7/P8	POWER MODULE (UHF) (POWER UNIT)
4	19B802611P2	GASKET
5	19B802611P1	GASKET
6	19B802621P1	NAME PLATE
7	344A756P1	WASHER
8	344A4700P2	SCREW

LOCAL TYPE MOBILE RADIO (SCAN HIGH POWER)

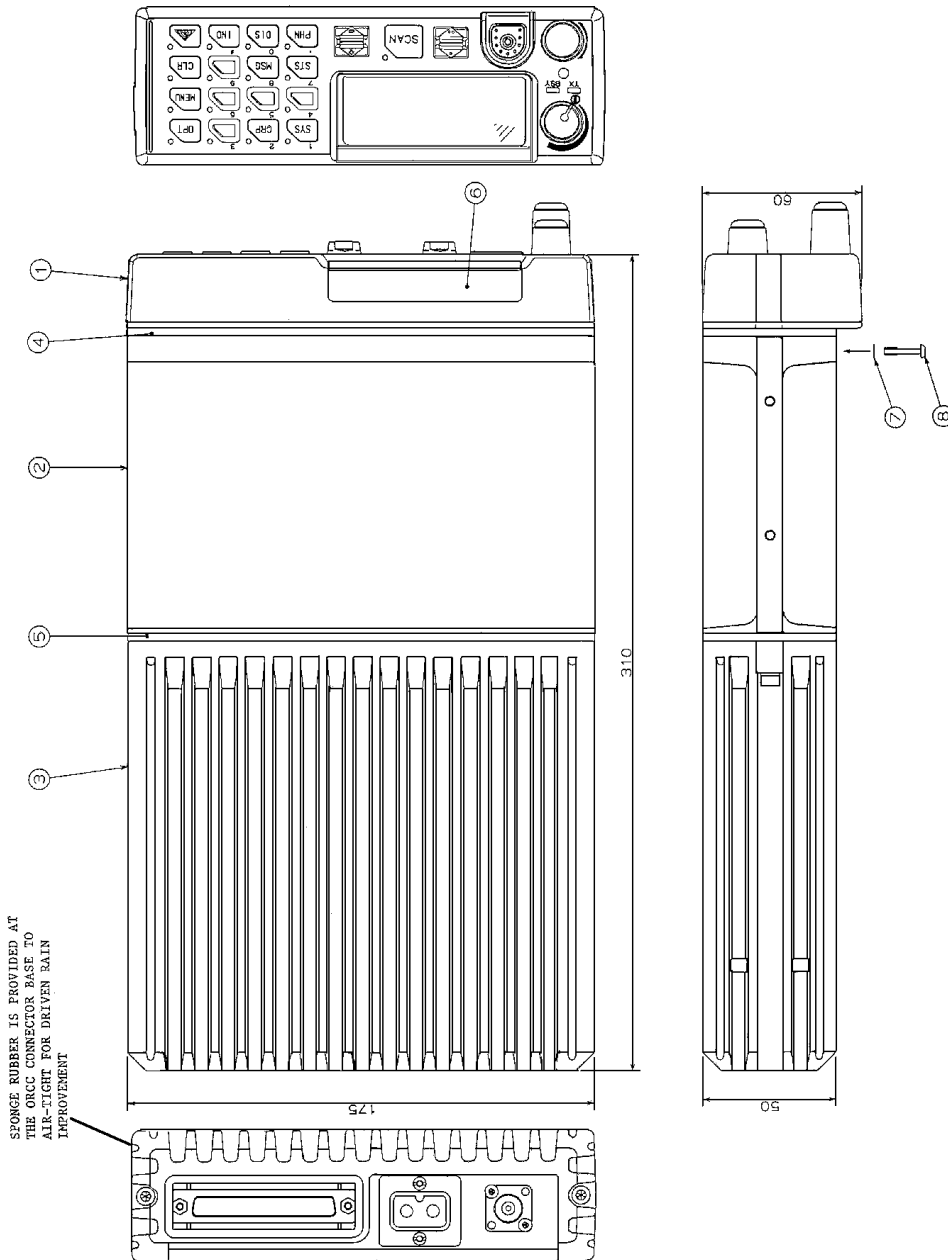


VHF (136-174 MHz)
 UHF (403-512 MHz)
 800 MHz
 900 MHz

} Only

ITEM	PART NUMBER	DESCRIPTION
1	344A4581P3	CONTROL UNIT
2	344A4578P1/P2	TXRX (VHF) (SYNTH/RX/EX)
	344A4578P1-P4	TXRX (UHF) (SYNTH/RX/EX)
	344A4579P1	TXRX (800) (SYNTH/RX/EX)
	344A4580P1	TXRX (900) (SYNTH/RX/EX)
	344A4572P3/P4	POWER MODULE (VHF) (POWER UNIT)
3	344A4573P3/P4/P5	POWER MODULE (UHF) (POWER UNIT)
	344A4574P1	POWER MODULE (800) (POWER UNIT)
	344A4575P1	POWER MODULE (900) (POWER UNIT)
4	19B802611P2	GASKET
5	19B802611P1	GASKET
6	19B802621P1	NAME PLATE
7	344A756P1	WASHER
8	344A4700P2	SCREW

LOCAL TYPE MOBILE RADIO (SYSTEM LOW POWER)



SPONGE RUBBER IS PROVIDED AT THE ORCC CONNECTOR BASE TO AIR-TIGHT FOR DRIVEN RAIN IMPROVEMENT

Available by special order only

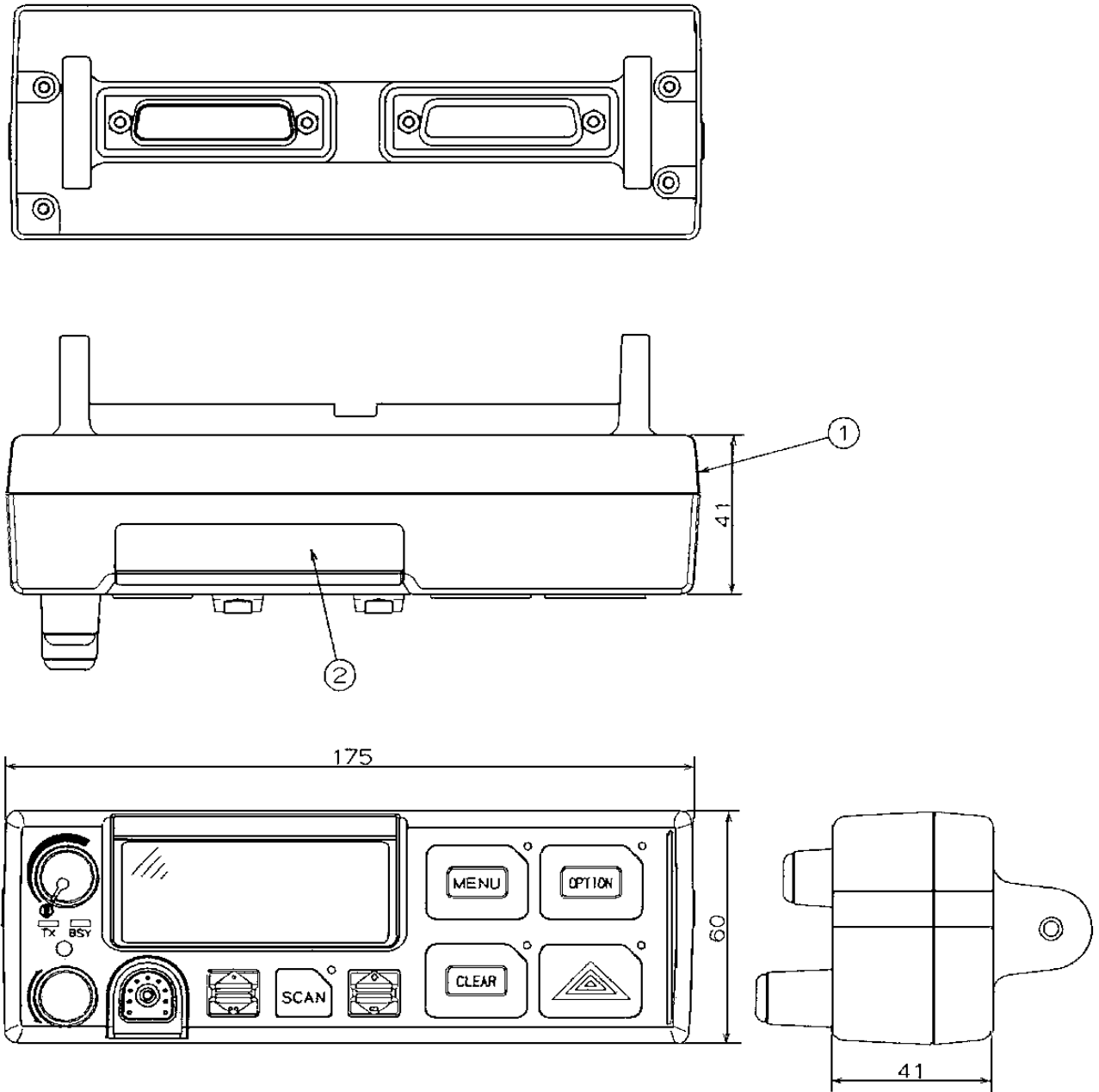
VHF and UHF Only

VHF (136-174 MHz)

UHF (403-512 MHz)

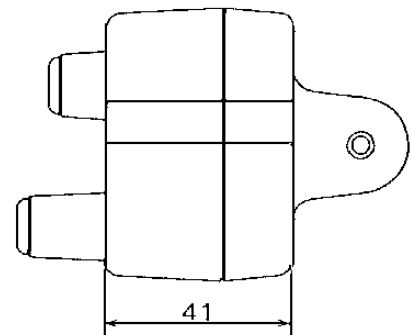
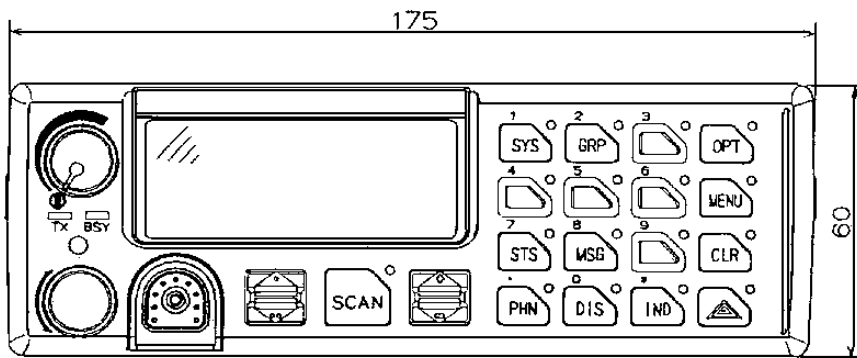
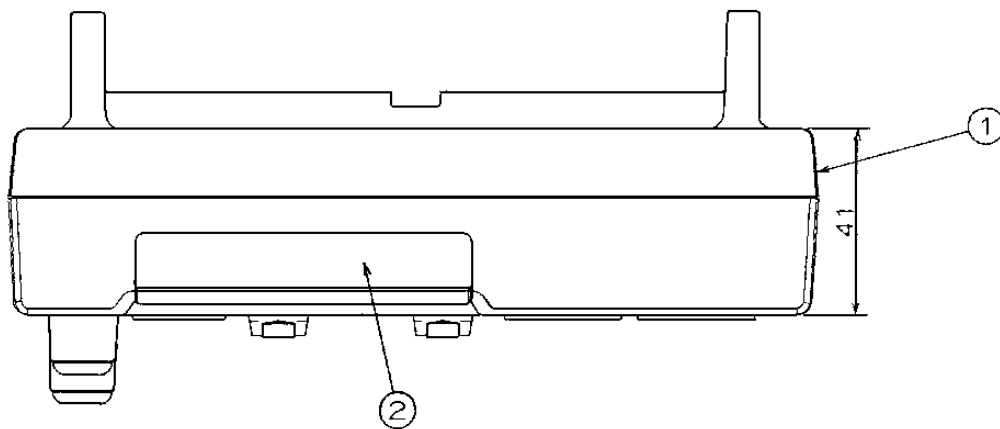
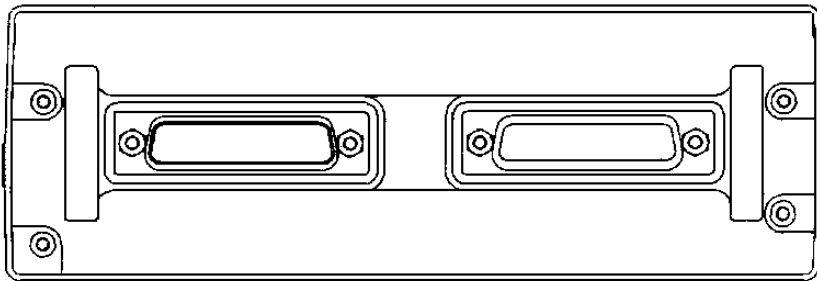
ITEM	PART NUMBER	DESCRIPTION
1	344A4581P3	CONTROL UNIT
2	344A4578P1/P2 344A4578P1-P4	TXRX (VHF) (SYNTH/RX/EX) TXRX (UHF) (SYNTH/RX/EX)
3	344A4572P5/P6 344A4573P6/P7/ P8	POWER MODULE (VHF) (POWER UNIT) POWER MODULE (UHF) (POWER UNIT)
4	19B802611P2	GASKET
5	19B802611P1	GASKET
6	19B802621P1	NAME PLATE
7	344A756P1	WASHER
8	344A4700P2	SCREW

LOCAL TYPE MOBILE RADIO (SYSTEM HIGH POWER)



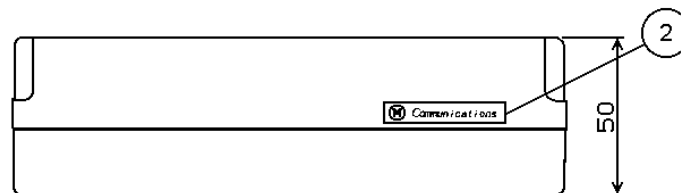
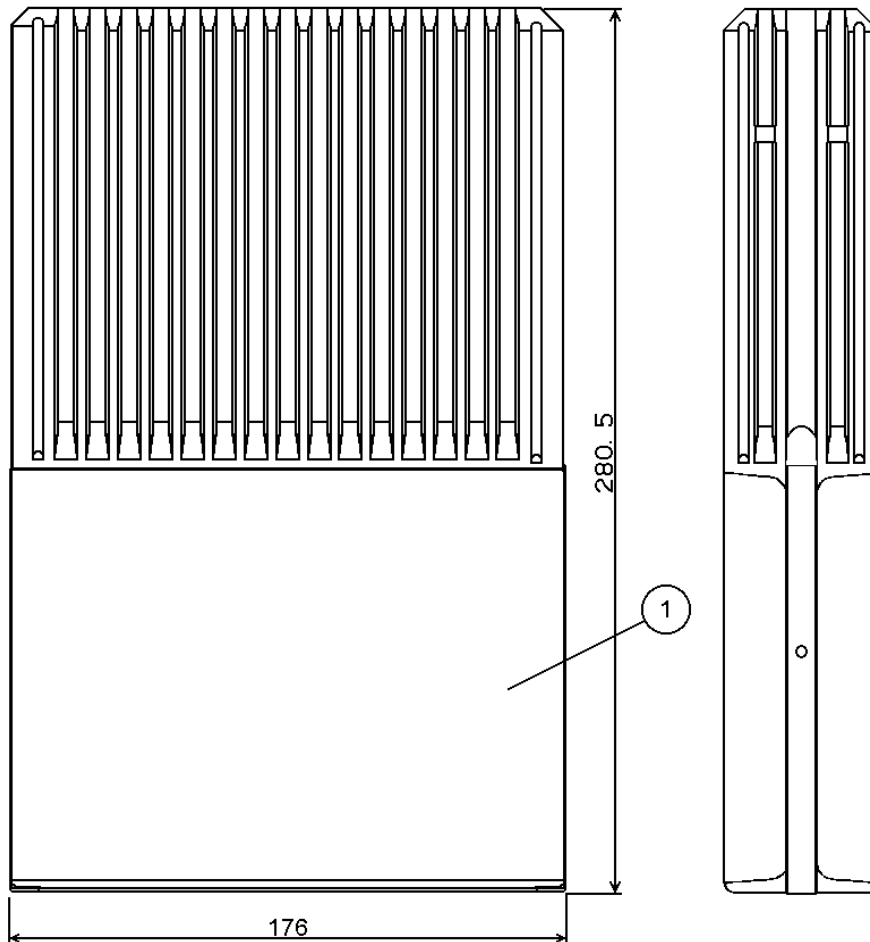
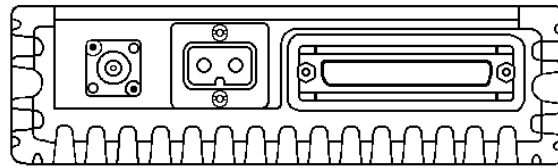
ITEM	PART NUMBER	DESCRIPTION
1	344A4581P2	CONTROL UNIT
2	19B802621P1	NAME PLATE

REMOTE TYPE CONTROL UNIT (SCAN)



ITEM	PART NUMBER	DESCRIPTION
1	344A4581P4	CONTROL UNIT
2	19B802621P1	NAME PLATE

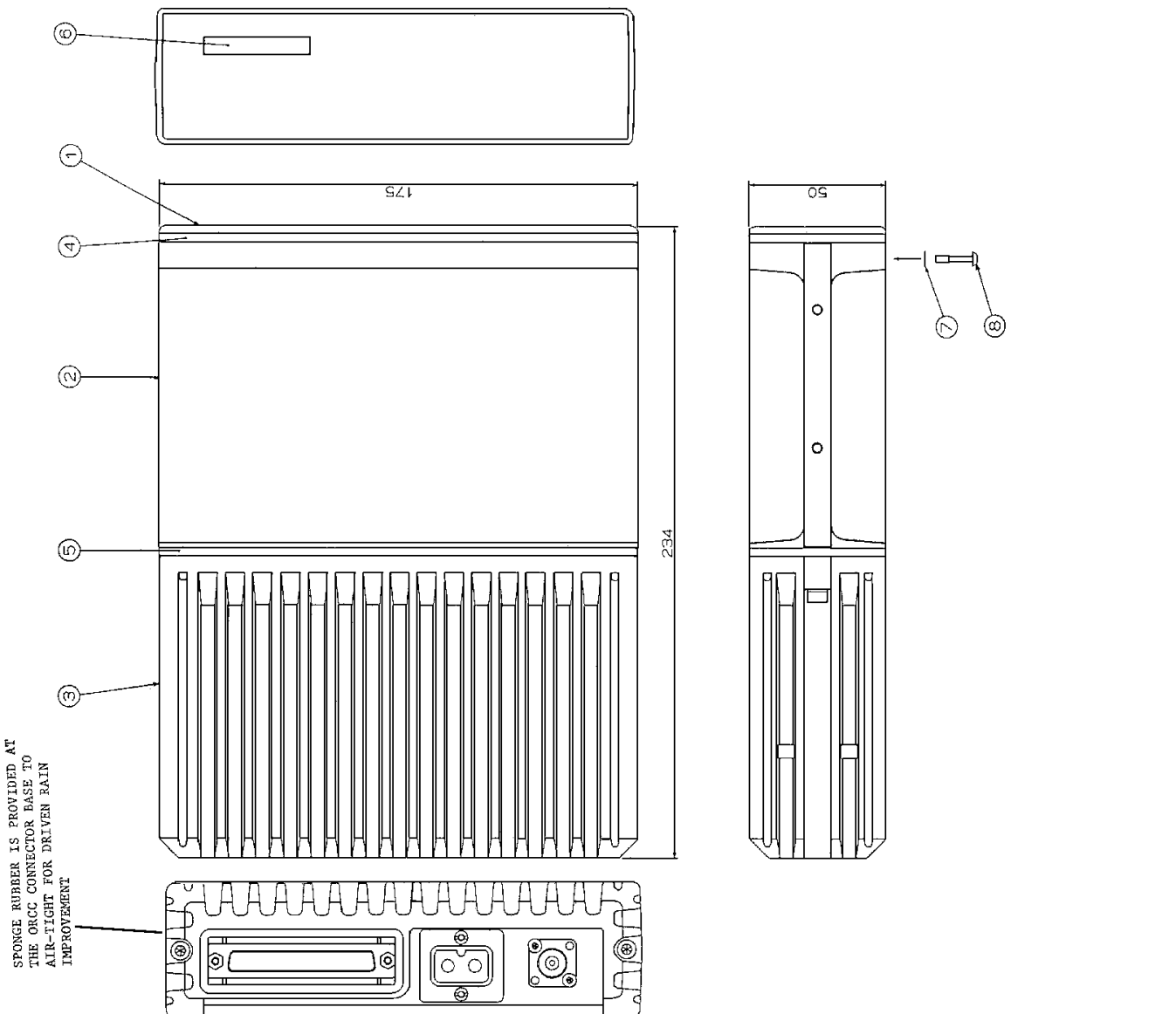
REMOTE TYPE CONTROL UNIT (SYSTEM)



Low Band Only

ITEM	PART NUMBER	DESCRIPTION
1	344A4571P1-P4	RADIO UNIT
2	344A4757P1	NAME PLATE

REMOTE TYPE MOBILE RADIO (LOW BAND)

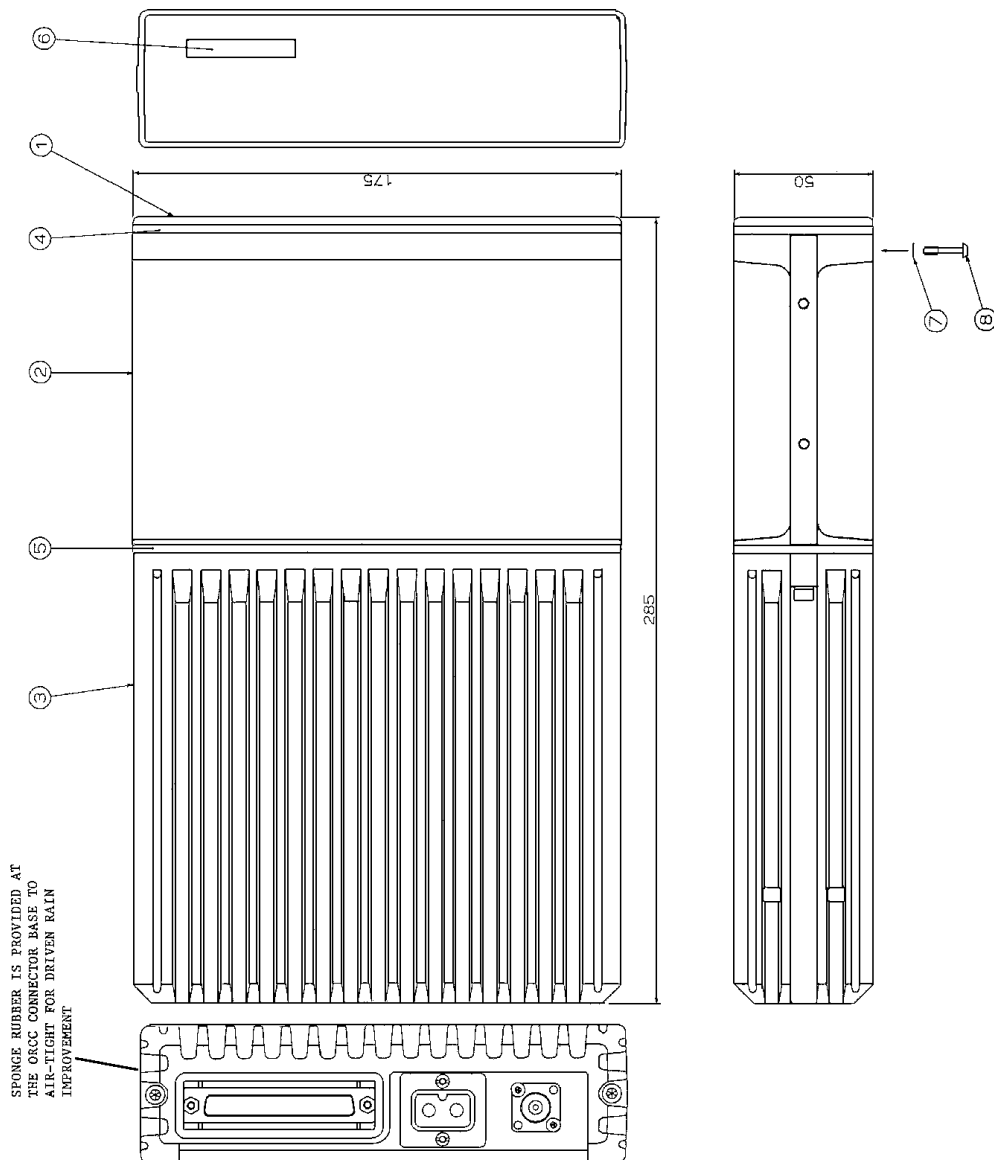


VHF (136-174 MHz)
 UHF (403-512 MHz)
 800 MHz
 900 MHz

Only

ITEM	PART NUMBER	DESCRIPTION
1	19B802671P1	FRONT COVER
2	344A4578P1/P2	TXRX (VHF) (SYNTH/RX/EX)
	344A4578P1-P4	TXRX (UHF) (SYNTH/RX/EX)
	344A4579P1	TXRX (800) (SYNTH/RX/EX)
	344A4580P1	TXRX (900) (SYNTH/RX/EX)
	344A4572P3/P4	POWER MODULE (VHF) (POWER UNIT)
3	344A4573P3/P4/P5	POWER MODULE (UHF) (POWER UNIT)
	344A4574P1	POWER MODULE (800) (POWER UNIT)
	344A4575P1	POWER MODULE (900) (POWER UNIT)
4	19B802611P2	GASKET
5	19B802611P1	GASKET
6	19B802621P1	NAME PLATE
7	344A756P1	WASHER
8	344A4700P2	SCREW

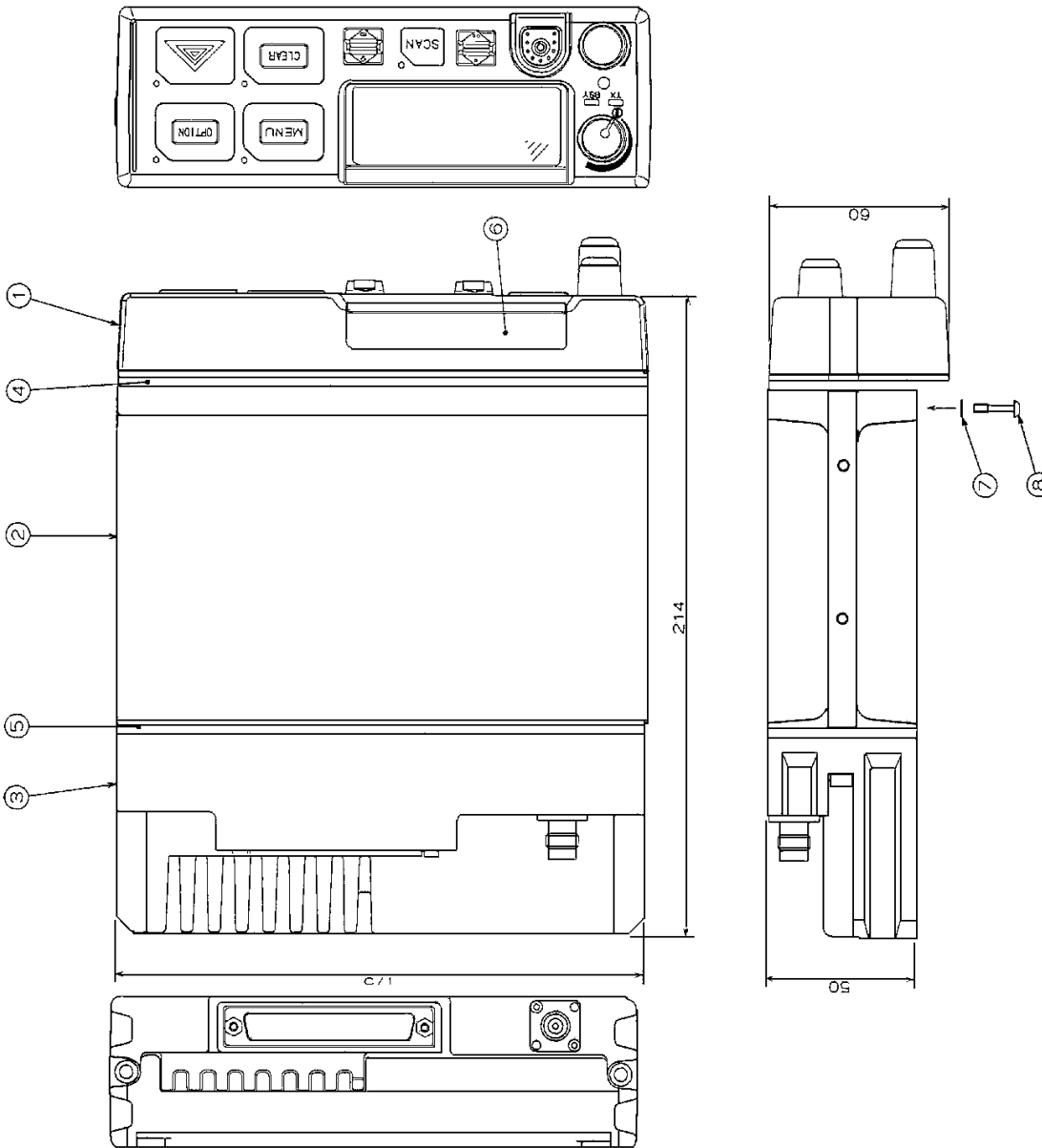
REMOTE TYPE MOBILE RADIO (LOW POWER)



VHF (136-174 MHz)
 UHF (403-512 MHz) } Only

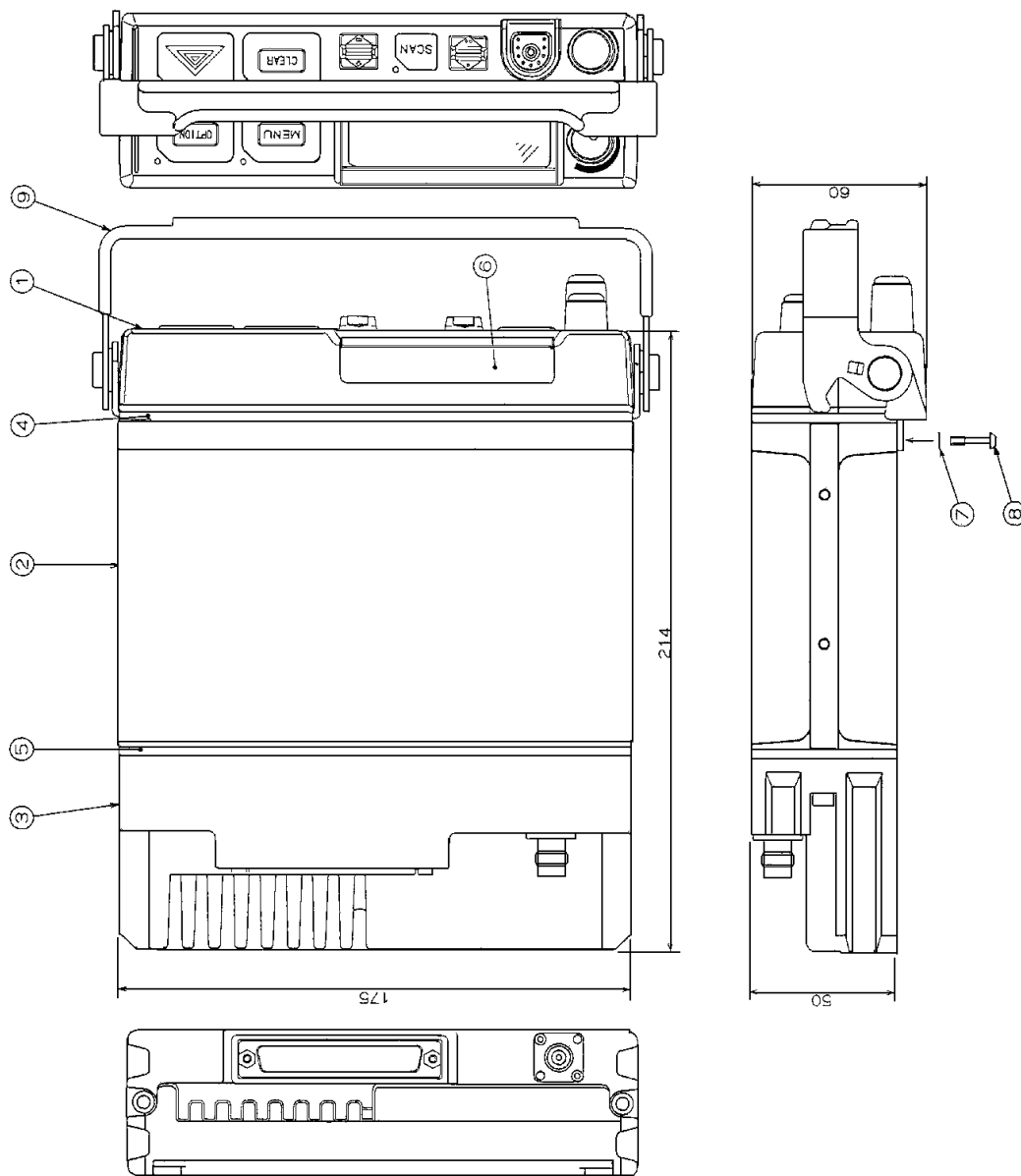
ITEM	PART NUMBER	DESCRIPTION
1	19B802671P1	FRONT COVER
2	344A4578P1/P2	TXRX (VHF) (SYNTH/RX/EX)
	344A4578P1-P4	TXRX (UHF) (SYNTH/RX/EX)
	344A4579P1	TXRX) (800) (SYNTH/RX/EX)
	344A4580P1	TXRX (900) (SYNTH/RX/EX)
	344A4572P5/P6	POWER MODULE (VHF) (POWER UNIT)
3	344A4573P6/P7/P8	POWER MODULE (UHF) (POWER UNIT)
	344A4574P2	POWER MODULE (800) (POWER UNIT)
	344A4575P2	POWER MODULE (900) (POWER UNIT)
4	19B802611P2	GASKET
5	19B802611P1	GASKET
6	19B802621P1	NAME PLATE
7	344A756P1	WASHER
8	344A4700P2	SCREW

REMOTE TYPE MOBILE RADIO (HIGH POWER)



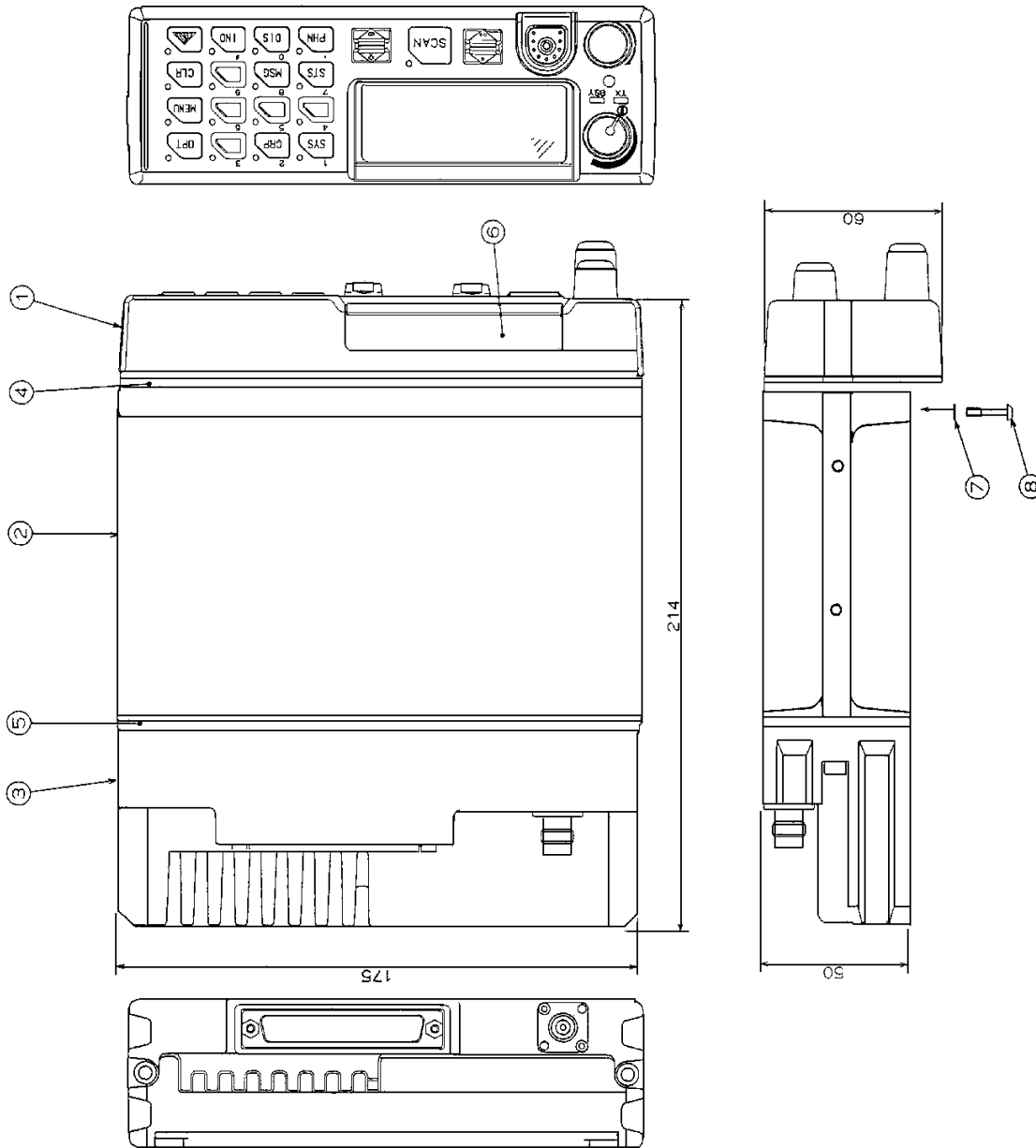
ITEM	PART NUMBER	DESCRIPTION
1	344A4581P1	CONTROL UNIT
2	344A4578P1/P2	TXRX (VHF) (SYNTH/RX/EX)
	344A4578P1-P4	TXRX (UHF) (SYNTH/RX/EX)
3	344A4572P1/P2	POWER MODULE (VHF) (POWER UNIT)
		25 WATTS
	344A4573P1/P2/P9	POWER MODULE (UHF) (POWER UNIT)
		20 WATTS
4	19B802611P2	GASKET
5	19B802611P1	GASKET
6	19B802621P1	NAME PLATE
7	344A756P1	WASHER
8	344A4700P2	SCREW

EUROPEAN FRONT MOUNT TYPE MOBILE RADIO (SCAN)



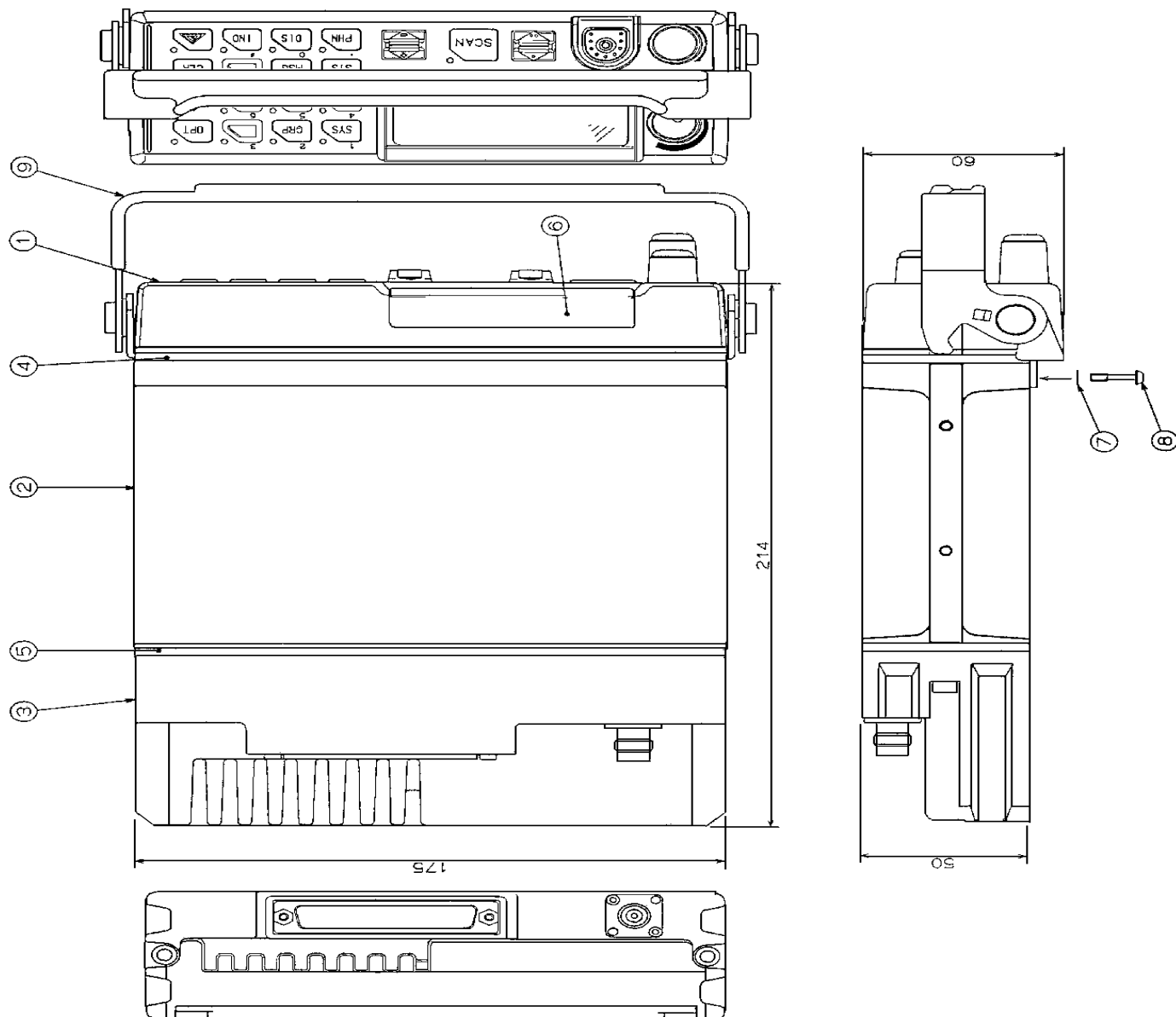
ITEM	PART NUMBER	DESCRIPTION
1	344A4581P1	CONTROL UNIT
2	344A4578P1/P2	TXRX (VHF) (SYNTH/RX/EX)
	344A4578P1-P4	TXRX (UHF) (SYNTH/RX/EX)
3	344A4572P1/P2	POWER MODULE (VHF) (POWER UNIT) 25 WATTS
	344A4573P1/P2/ P9	POWER MODULE (UHF) (POWER UNIT) 20 WATTS
4	19B802611P2	GASKET
5	19B802611P1	GASKET
6	19B802621P1	NAME PLATE
7	344A756P1	WASHER
8	344A4700P2	SCREW
9		HANDLE KIT

EUROPEAN CASSETTE MOUNT TYPE MOBILE RADIO (SCAN)



ITEM	PART NUMBER	DESCRIPTION
1	344A4581P3	CONTROL UNIT
2	344A4578P1/P2	TXRX (VHF) (SYNTH/RX/EX)
	344A4578P1-P4	TXRX (UHF) (SYNTH/RX/EX)
3	344A4572P1/P2	POWER MODULE (VHF) (POWER UNIT)
		25 WATTS
	344A4573P1/P2/P9	POWER MODULE (UHF) (POWER UNIT)
		20 WATTS
4	19B802611P2	GASKET
5	19B802611P1	GASKET
6	19B802621P1	NAME PLATE
7	344A756P1	WASHER
8	344A4700P2	SCREW

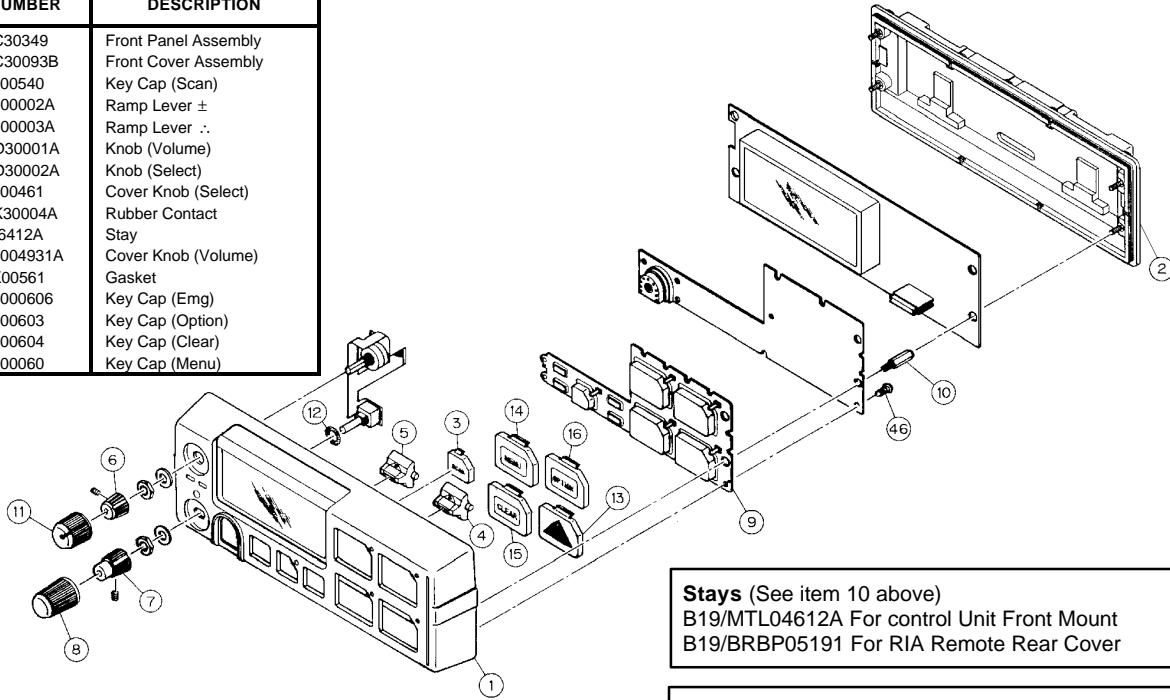
EUROPEAN FRONT MOUNT TYPE MOBILE RADIO (SYSTEM)



ITEM	PART NUMBER	DESCRIPTION
1	344A4581P3	CONTROL UNIT
2	344A4578P1/P2	TXRX (VHF) (SYNTH/RX/EX)
	344A4578P1-P4	TXRX (UHF) (SYNTH/RX/EX)
3	344A4572P1/P2	POWER MODULE (VHF) (POWER UNIT) 25 WATTS
	344A4573P1/P2/ P9	POWER MODULE (UHF) (POWER UNIT) 20 WATTS
4	19B802611P2	GASKET
5	19B802611P1	GASKET
6	19B802621P1	NAME PLATE
7	344A756P1	WASHER
8	344A4700P2	SCREW
9		HANDLE KIT

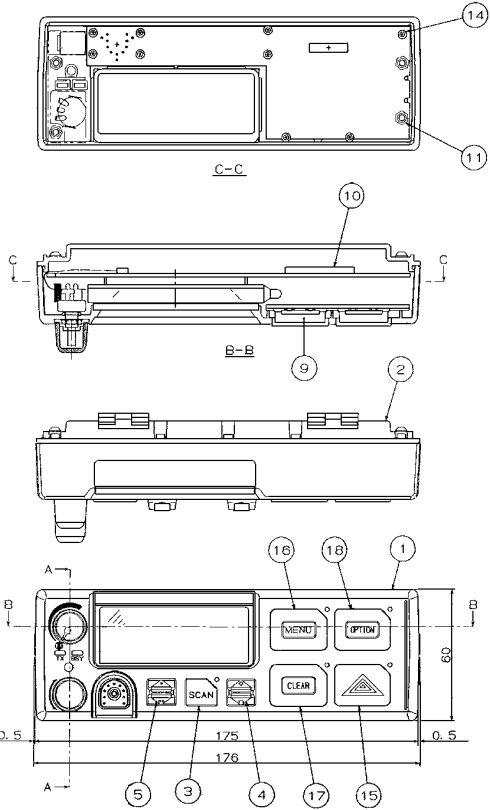
EUROPEAN CASSETTE MOUNT TYPE MOBILE RADIO (SYSTEM)

ITEM	PART NUMBER	DESCRIPTION
1	B19/MPBC30349	Front Panel Assembly
2	B19/MPBC30093B	Front Cover Assembly
3	B19/MTV300540	Key Cap (Scan)
4	B19/MTV300002A	Ramp Lever ±
5	B19/MTV300003A	Ramp Lever ∴
6	B19/MPHD30001A	Knob (Volume)
7	B19/MPHD30002A	Knob (Select)
8	B19/MTV300461	Cover Knob (Select)
9	B19/MPPK30004A	Rubber Contact
10	B19/ML046412A	Stay
11	B19/MTV0004931A	Cover Knob (Volume)
12	B19/BRPK00561	Gasket
13	B19/MTV3000606	Key Cap (Emg)
14	B19/MTV300603	Key Cap (Option)
15	B19/MTV300604	Key Cap (Clear)
16	B19/MTV300060	Key Cap (Menu)



Stays (See item 10 above)
 B19/MTL04612A For control Unit Front Mount
 B19/BRBP05191 For RIA Remote Rear Cover

B19/MPTG30015 No. 10 Torq Screw for Rear Cover



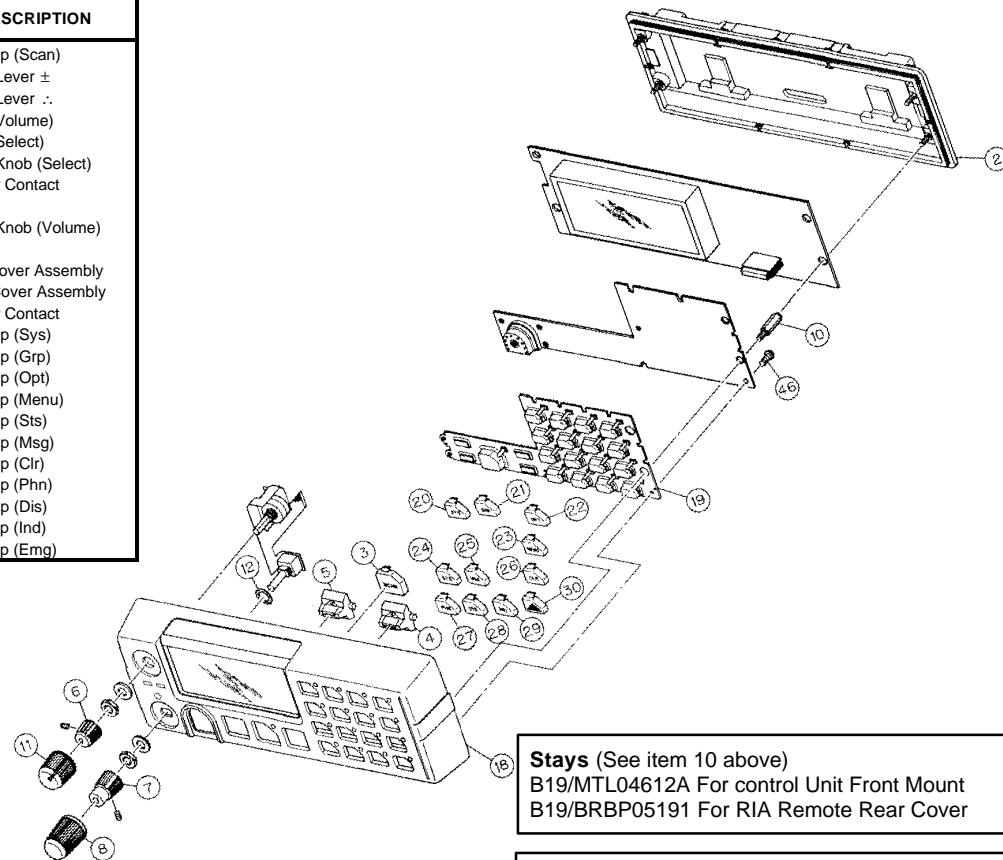
ITEM	PART NUMBER	DESCRIPTION
1	B19/MPBC30349	Front Panel Assembly
2	B19/MPBC30093B	Front Cover Assembly
3	B19/MTV300540	Key Cap (Scan)
4	B19/MTV300002A	Ramp Lever ±
5	B19/MTV300003A	Ramp Lever ∴
6	B19/MPHD30001A	Knob (Volume)
7	B19/MPHD30002A	Knob (Select)
8	B19/MTV300461	Cover Knob (Select)
9	B19/MPPK30004A	Rubber Contact
10	B19/MTB309080A	Case Shield
11	B19/MTL046412A	Stay
12	B19/MTV0004931A	Cover Knob (Volume)
13	B19/BRPK00561	Gasket
14	B19/BRTG05174	PT Screw
15	B19/MTV3000606	Key Cap (Emg)
16	B19/MTV300603	Key Cap (Menu)
17	B19/MTV300604	Key Cap (Clear)
18	B19/MTV300060	Key Cap (Option)

**LOCAL TYPE CONTROL UNIT (SCAN)
 EXPLODED VIEW & PARTS LIST
 344A4581P1 (B19/CMD-556BL)**

ASSEMBLY DIAGRAM

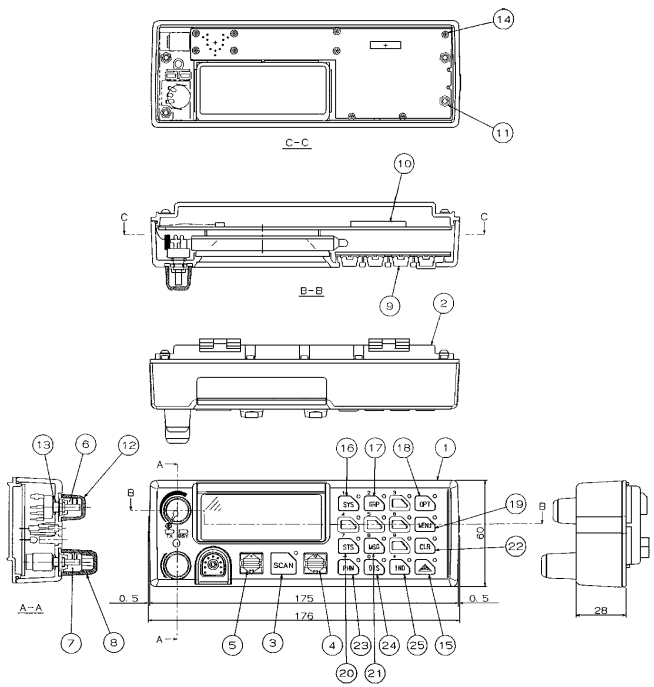
LBI-38909

ITEM	PART NUMBER	DESCRIPTION
3	B19/MTV300540	Key Cap (Scan)
4	B19/MTV300002A	Ramp Lever ±
5	B19/MTV300003A	Ramp Lever ∴
6	B19/MPHD30001A	Knob (Volume)
7	B19/MPHD30002A	Knob (Select)
8	B19 MTV300461	Cover Knob (Select)
9	B19/MTPPK30004A	Rubber Contact
10	B19/MTL046412A	Stay
11	B19/MTV004931A	Cover Knob (Volume)
12	B19/BRPK00561	Gasket
17	B19/MPBC30093B	Rear Cover Assembly
18	B19/MPBC30348	Front Cover Assembly
19	B19/MPPK01867A	Rubber Contact
20	B19/MTV300542	Key Cap (Sys)
21	B19/MTV300543	Key Cap (Grp)
22	B19/MTV300544	Key Cap (Opt)
23	B19/MTV300545	Key Cap (Menu)
24	B19/MTV300546	Key Cap (Sts)
25	B19/MTV300547	Key Cap (Msg)
26	B19/MTV300548	Key Cap (Clr)
27	B19/MTV300549	Key Cap (Phn)
28	B19/MTV300550	Key Cap (Dis)
29	B19/MTV300551	Key Cap (Ind)
30	B19/MTV300552	Key Cap (Emg)



Stays (See item 10 above)
 B19/MTL04612A For control Unit Front Mount
 B19/BRBP05191 For RIA Remote Rear Cover

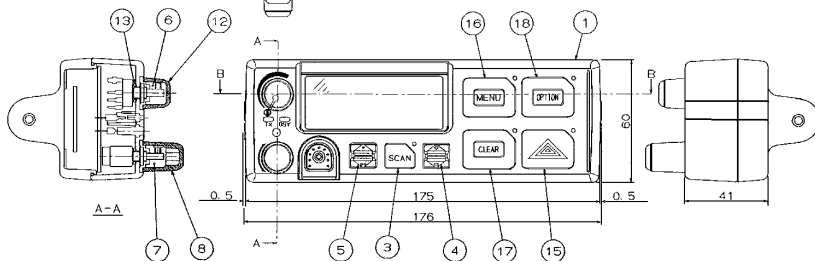
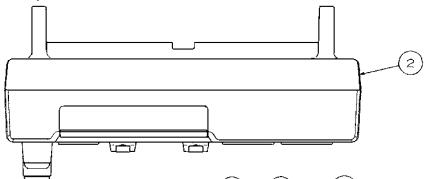
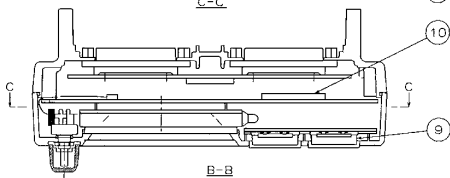
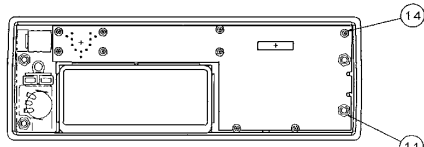
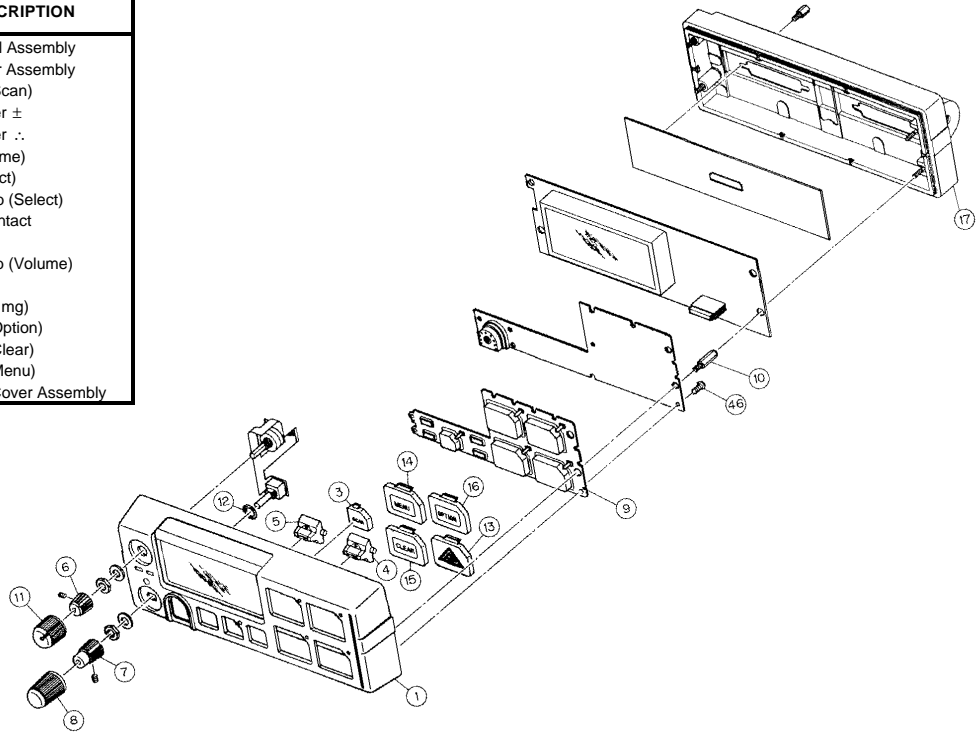
B19/MPTG30015 No. 10 Torq Screw for Rear Cover



ITEM	PART NUMBER	DESCRIPTION
1	B19/MPBC30348	Front Cover Assembly
2	B19/MPBC30093B	Rear Cover Assembly
3	B19/MTV300540	Key Cap (Scan)
4	B19/MTV300002A	Ramp Lever ±
5	B19/MTV300003A	Ramp Lever ∴
6	B19/MPHD30001A	Knob (Volume)
7	B19/MPHD30002A	Knob (Select)
8	B19 MTV300461	Cover Knob (Select)
9	B19/MTPPK30004A	Rubber Contact
10	B19/MTB309080A	Case Shield
11	B19/MTL046412A	Stay
12	B19/MTV004931A	Cover Knob (Volume)
13	B19/BRPK00561	Gasket
14	B19/BRTG05174	PT Screw
15	B19/MTV300552	Key Cap (Emg)
16	B19/MTV300542	Key Cap (Sys)
17	B19/MTV300543	Key Cap (Grp)
18	B19/MTV300544	Key Cap (Opt)
19	B19/MTV300545	Key Cap (Menu)
20	B19/MTV300546	Key Cap (Sts)
21	B19/MTV300547	Key Cap (Msg)
22	B19/MTV300548	Key Cap (Clr)
23	B19/MTV300549	Key Cap (Phn)
24	B19/MTV300550	Key Cap (Dis)
25	B19/MTV300551	Key Cap (Ind)

LOCAL TYPE CONTROL UNIT (SYSTEM) EXPLODED VIEW & PARTS LIST 344A4581P3 (B19/CMD-556ML)

ITEM	PART NUMBER	DESCRIPTION
1	B19/MPBC30349	Front Panel Assembly
2	B19/MDNQZ5110A	Rear Cover Assembly
3	B19/MTV300540	Key Cap (Scan)
4	B19/MTV300002A	Ramp Lever ±
5	B19/MTV300003A	Ramp Lever ∴
6	B19/MPHD30001A	Knob (Volume)
7	B19/MPHD30002A	Knob (Select)
8	B19/MTV300461	Cover Knob (Select)
9	B19/MPPK30004A	Rubber Contact
10	B19/ML046412A	Stay
11	B19/MTV0004931A	Cover Knob (Volume)
12	B19/BRPK00561	Gasket
13	B19/MTV300606	Key Cap (Emg)
14	B19/MTV300603	Key Cap (Option)
15	B19/MTV300604	Key Cap (Clear)
16	B19/MTV300060	Key Cap (Menu)
17	B19/MDNQZ5110A	RIA Rear Cover Assembly



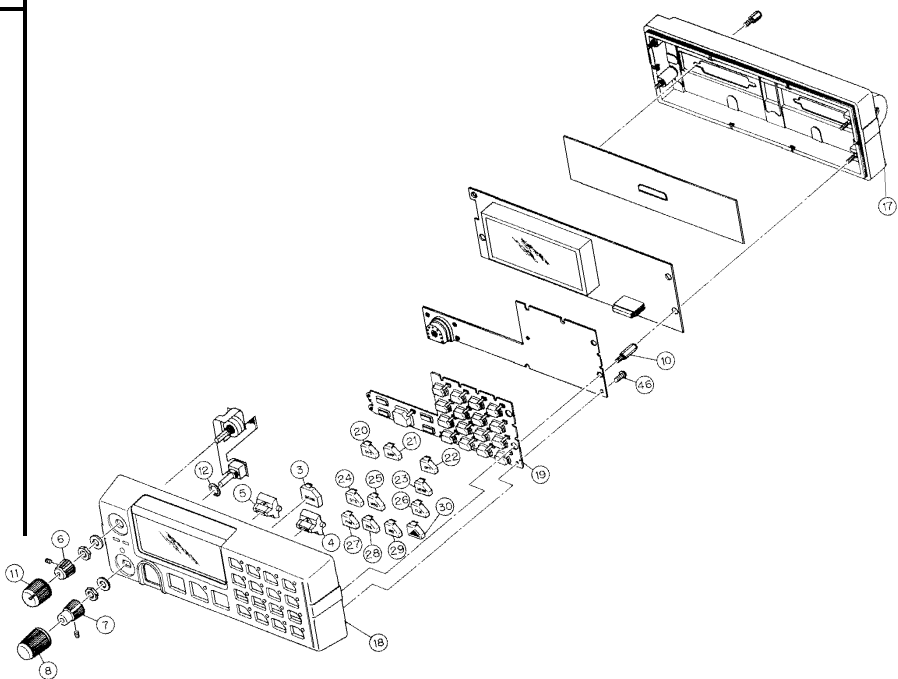
Stays (See item 10 above)
 B19/MTL04612A For control Unit Front Mount
 B19/BRBP05191 For RIA Remote Rear Cover

B19/MPTG30015 No. 10 Torq Screw for Rear Cover

ITEM	PART NUMBER	DESCRIPTION
1	B19/MPBC30349	Front Panel Assembly
2	B19/MDNQZ5110A	RIA Rear Cover Assembly
3	B19/MTV300540	Key Cap (Scan)
4	B19/MTV300002A	Ramp Lever ±
5	B19/MTV300003A	Ramp Lever ∴
6	B19/MPHD30001A	Knob (Volume)
7	B19/MPHD30002A	Knob (Select)
8	B19/MTV300461	Cover Knob (Select)
9	B19/MPPK30004A	Rubber Contact
10	B19/MTB309080A	Case Shield
11	B19/MTL046412A	Stay
12	B19/MTV0004931A	Cover Knob (Volume)
13	B19/BRPK00561	Gasket
14	B19/BRTG05174	PT Screw
15	B19/MTV300606	Key Cap (Emg)
16	B19/MTV300603	Key Cap (Menu)
17	B19/MTV300604	Key Cap (Clear)

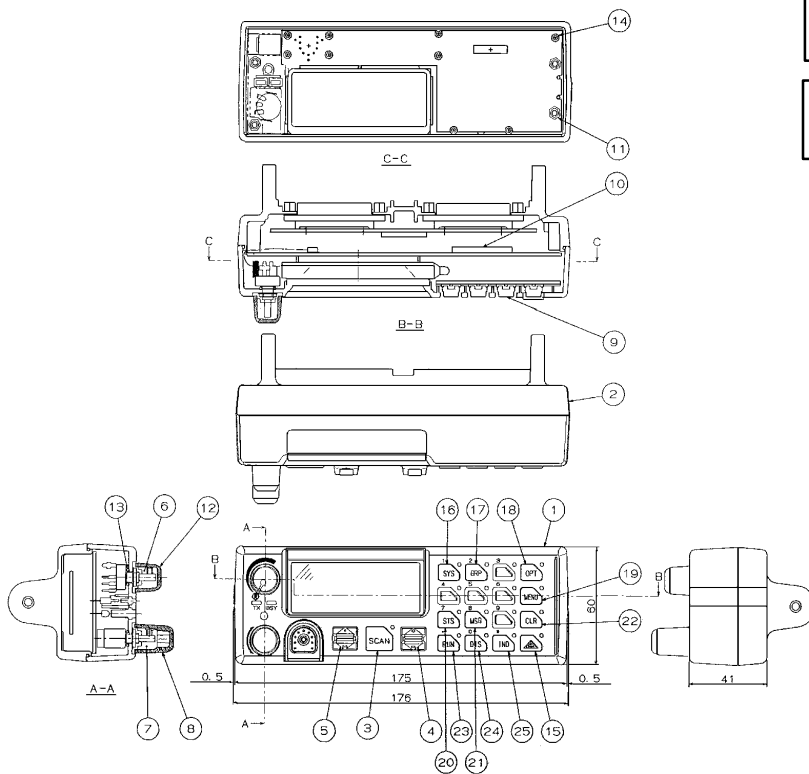
**REMOTE TYPE CONTROL UNIT (SCAN)
 EXPLODED VIEW & PARTS LIST
 344A4581P2 (B19/CMD-556BR)**

ITEM	PART NUMBER	DESCRIPTION
3	B19/MTV300540	Key Cap (Scan)
4	B19/MTV300002A	Ramp Lever ±
5	B19/MTV300003A	Ramp Lever ∴
6	B19/MPHD30001A	Knob (Volume)
7	B19/MPHD30002A	Knob (Select)
8	B19 MTV300461	Cover Knob (Select)
9	B19/MTPPK30004A	Rubber Contact
10	B19/MTL046412A	Stay
11	B19/MTV004931A	Cover Knob (Volume)
12	B19/BRPK00561	Gasket
17	B19/MDNQZ5110A	RIA Rear Cover Assembly
18	B19/MPBC30348	Front Cover Assembly
19	B19/MPPK01867A	Rubber Contact
20	B19/MTV300542	Key Cap (Sys)
21	B19/MTV300543	Key Cap (Grp)
22	B19/MTV300544	Key Cap (Opt)
23	B19/MTV300545	Key Cap (Menu)
24	B19/MTV300546	Key Cap (Sts)
25	B19/MTV300547	Key Cap (Msg)
26	B19/MTV300548	Key Cap (Clr)
27	B19/MTV300549	Key Cap (Phn)
28	B19/MTV300550	Key Cap (Dis)
29	B19/MTV300551	Key Cap (Ind)
30	B19/MTV300552	Key Cap (Emg)



Stays (See item 10 above)
 B19/MTL04612A For control Unit Front Mount
 B19/BRBP05191 For RIA Remote Rear Cover

B19/MPTG30015 No. 10 Torq Screw for Rear Cover

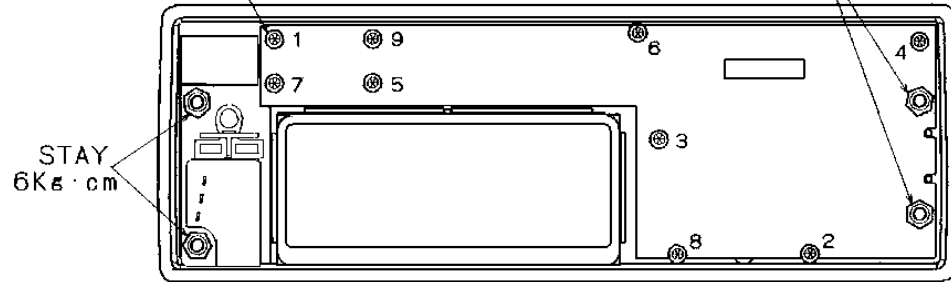


ITEM	PART NUMBER	DESCRIPTION
1	B19/MPBC30348	Front Cover Assembly
2	B19/MDNQZ5110A	RIA Rear Cover Assembly
3	B19/MTV300540	Key Cap (Scan)
4	B19/MTV300002A	Ramp Lever ±
5	B19/MTV300003A	Ramp Lever ∴
6	B19/MPHD30001A	Knob (Volume)
7	B19/MPHD30002A	Knob (Select)
8	B19 MTV300461	Cover Knob (Select)
9	B19/MTPPK30004A	Rubber Contact
10	B19/MTB309080A	Case Shield
11	B19/MTL046412A	Stay
12	B19/MTV004931A	Cover Knob (Volume)
13	B19/BRPK00561	Gasket
14	B19/BRTG05174	PT Screw
15	B19/MTV300552	Key Cap (Emg)
16	B19/MTV300542	Key Cap (Sys)
17	B19/MTV300543	Key Cap (Grp)
18	B19/MTV300544	Key Cap (Opt)
19	B19/MTV300545	Key Cap (Menu)
20	B19/MTV300546	Key Cap (Sts)
21	B19/MTV300547	Key Cap (Msg)
22	B19/MTV300548	Key Cap (Clr)
23	B19/MTV300549	Key Cap (Phn)
24	B19/MTV300550	Key Cap (Dis)
25	B19/MTV300551	Key Cap (Ind)
26	B19/MTV300552	Key Cap (Emg)

**REMOTE TYPE CONTROL UNIT (SYSTEM)
 EXPLODED VIEW & PARTS LIST
 344A4581P4 (B19/CMD-556MR)**

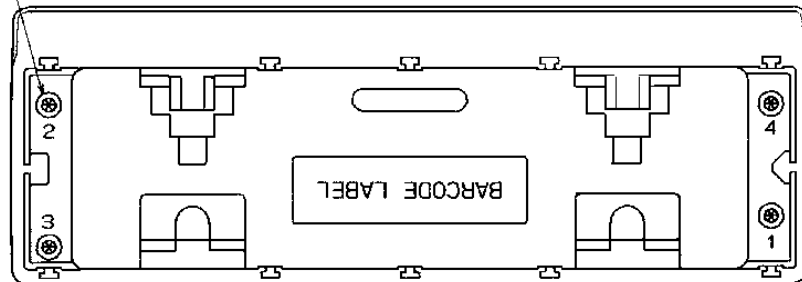
PT. SCREW (SEQUENCE: 1~9)
2.8Kg·cm

STAY
6Kg·cm



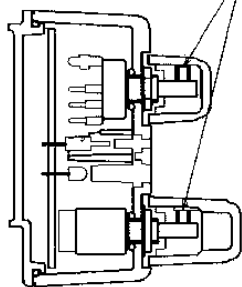
BACK VIEW (REMOVE REARCOVER AND PANEL CONTROL)

TORX SCREW (SEQUENCE: 1~4)
8Kg·cm

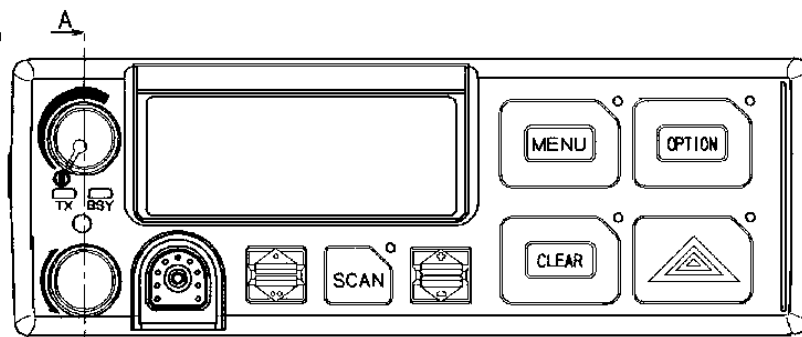


BACK VIEW

SCREW
2Kg·cm



AA



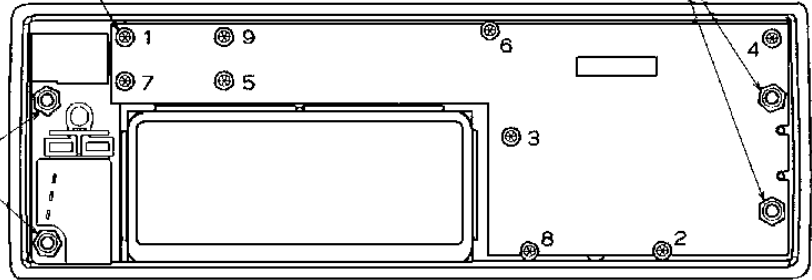
FRONT VIEW

SCAN CONTROL UNIT (LOCAL)

PT. SCREW (SEQUENCE: 1~9)
2.8K ϵ ·cm

STAY
6K ϵ ·cm

STAY
6K ϵ ·cm

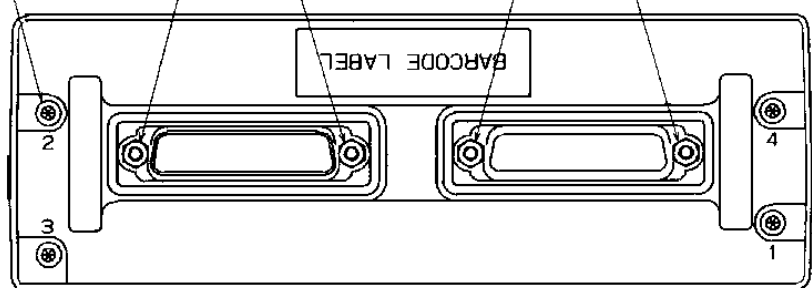


BACK VIEW (REMOVE REARCOVER AND PANEL CONTROL)

TORX SCREW (SEQUENCE: 1~4)
8K ϵ ·cm

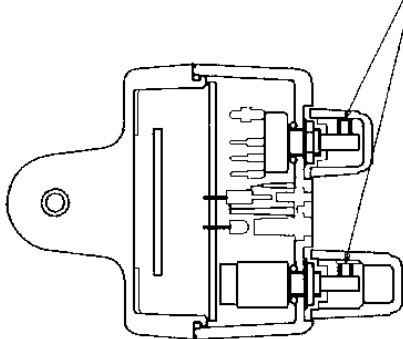
STAY
6K ϵ ·cm

STAY
6K ϵ ·cm

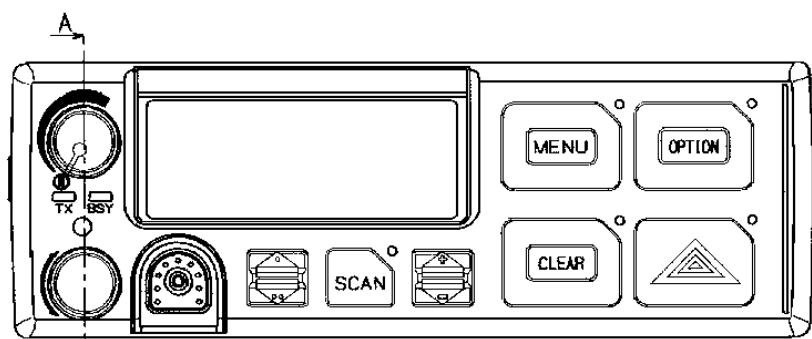


BACK VIEW

SCREW
2K ϵ ·cm

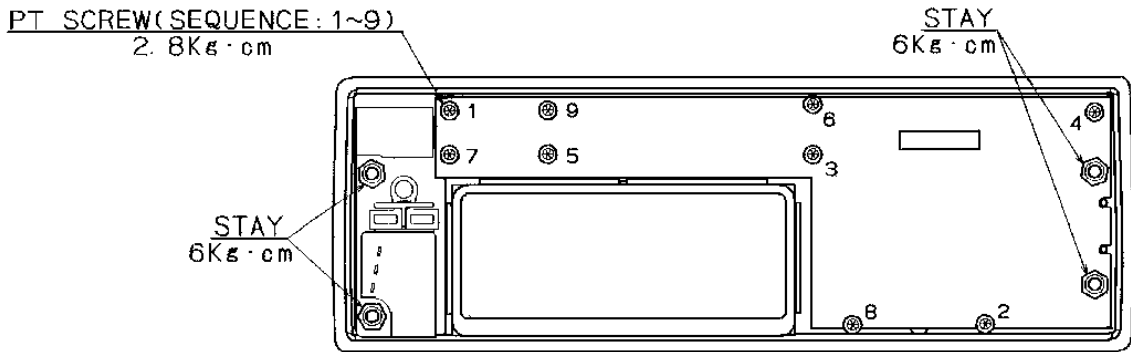


AA

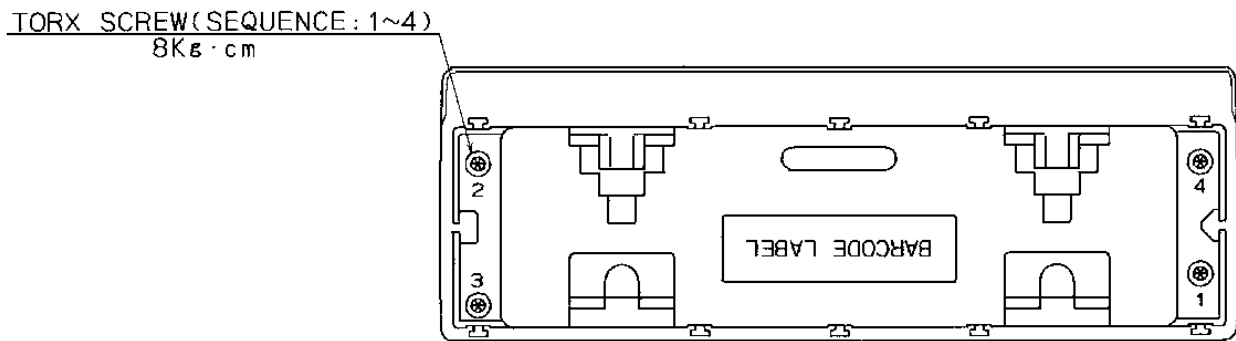


FRONT VIEW

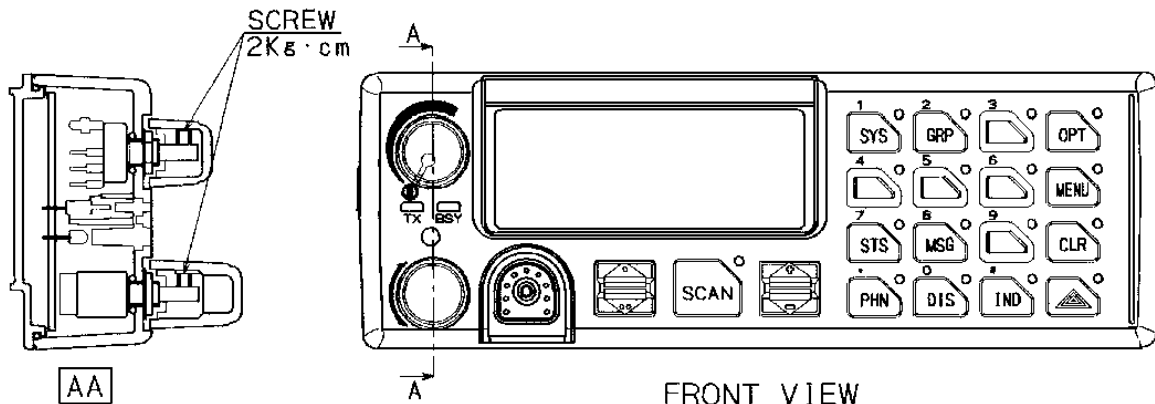
SCAN CONTROL UNIT (REMOTE)



BACK VIEW (REMOVE REARCOVER AND PANEL CONTROL)



BACK VIEW

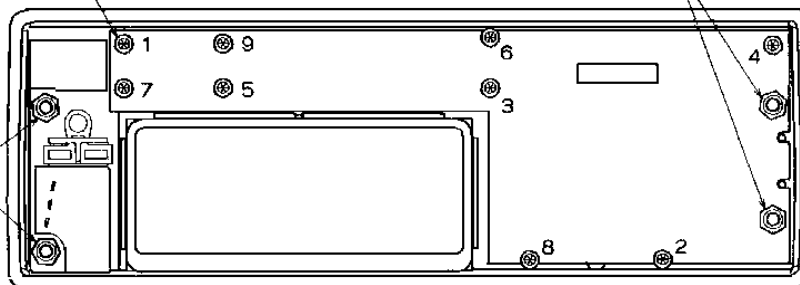


SYSTEM CONTROL UNIT (LOCAL)

PT. SCREW (SEQUENCE: 1~9)
2.8Kg·cm

STAY
6Kg·cm

STAY
6Kg·cm

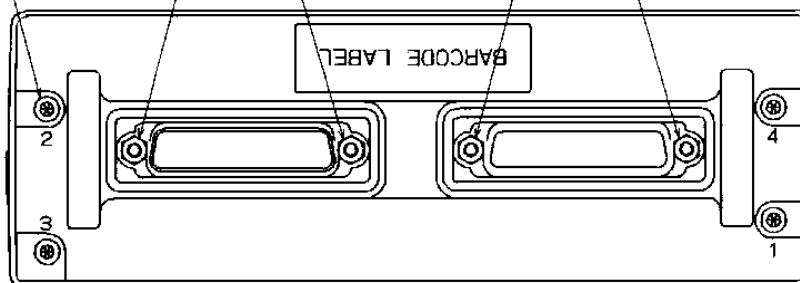


BACK VIEW (REMOVE REARCOVER AND PANEL CONTROL)

TORX SCREW (SEQUENCE: 1~4)
8Kg·cm

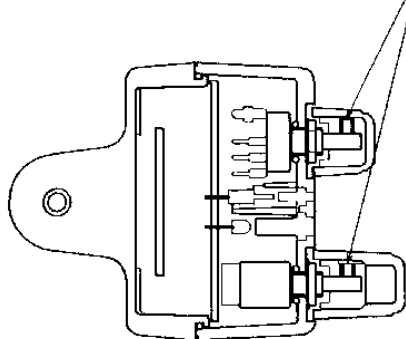
STAY
6Kg·cm

STAY
6Kg·cm

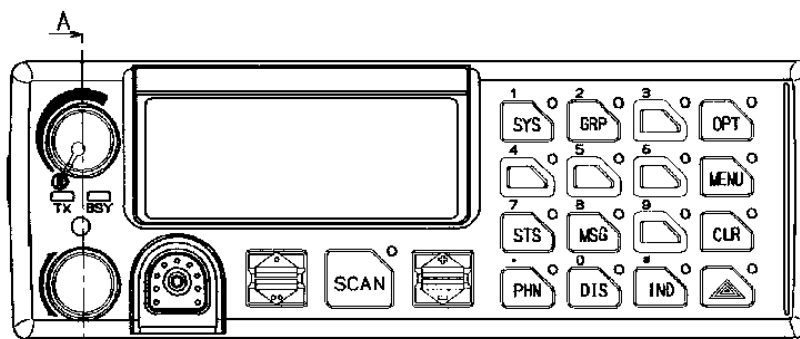


BACK VIEW

SCREW
2Kg·cm

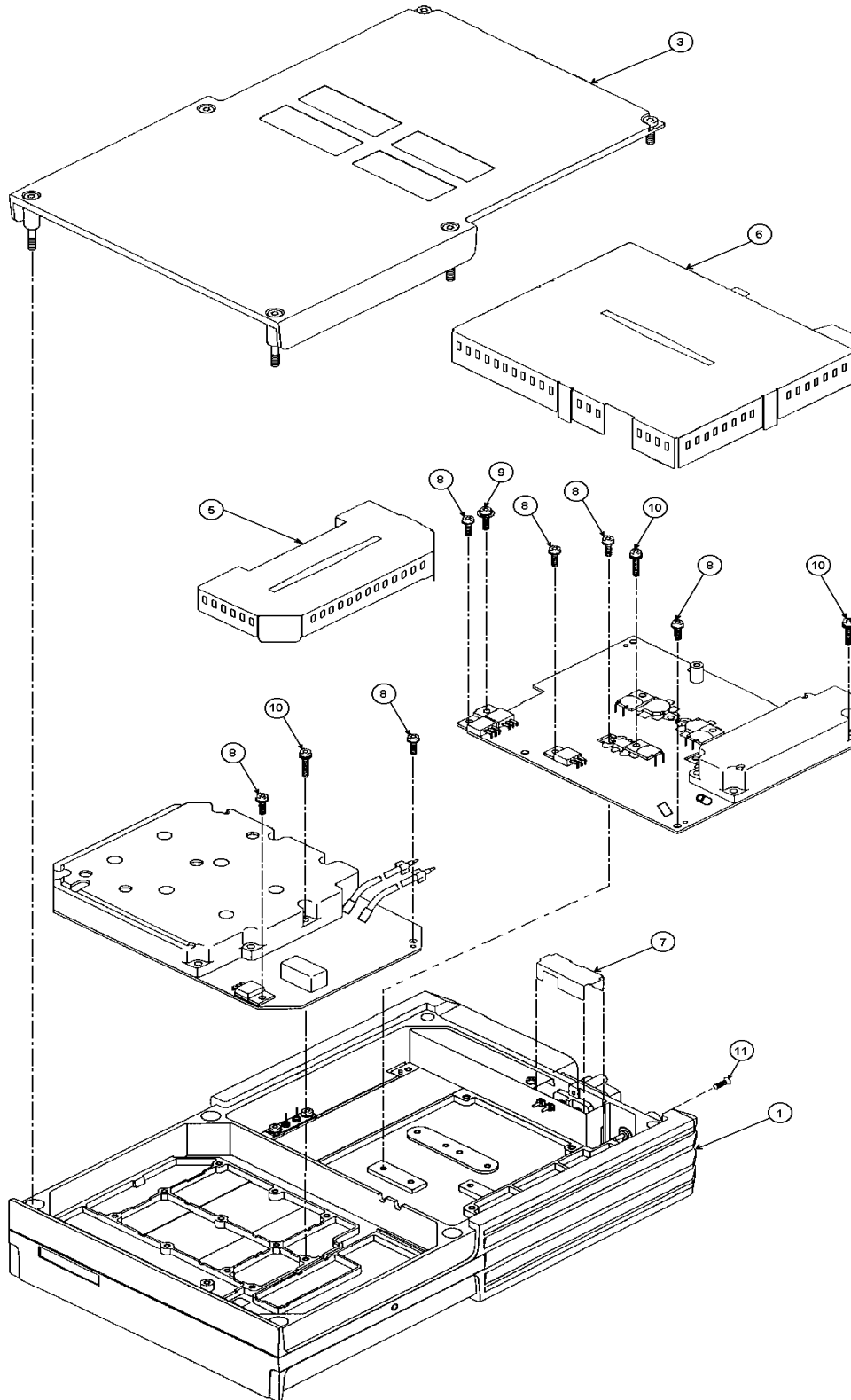


AA



FRONT VIEW

SYSTEM CONTROL UNIT (REMOTE)

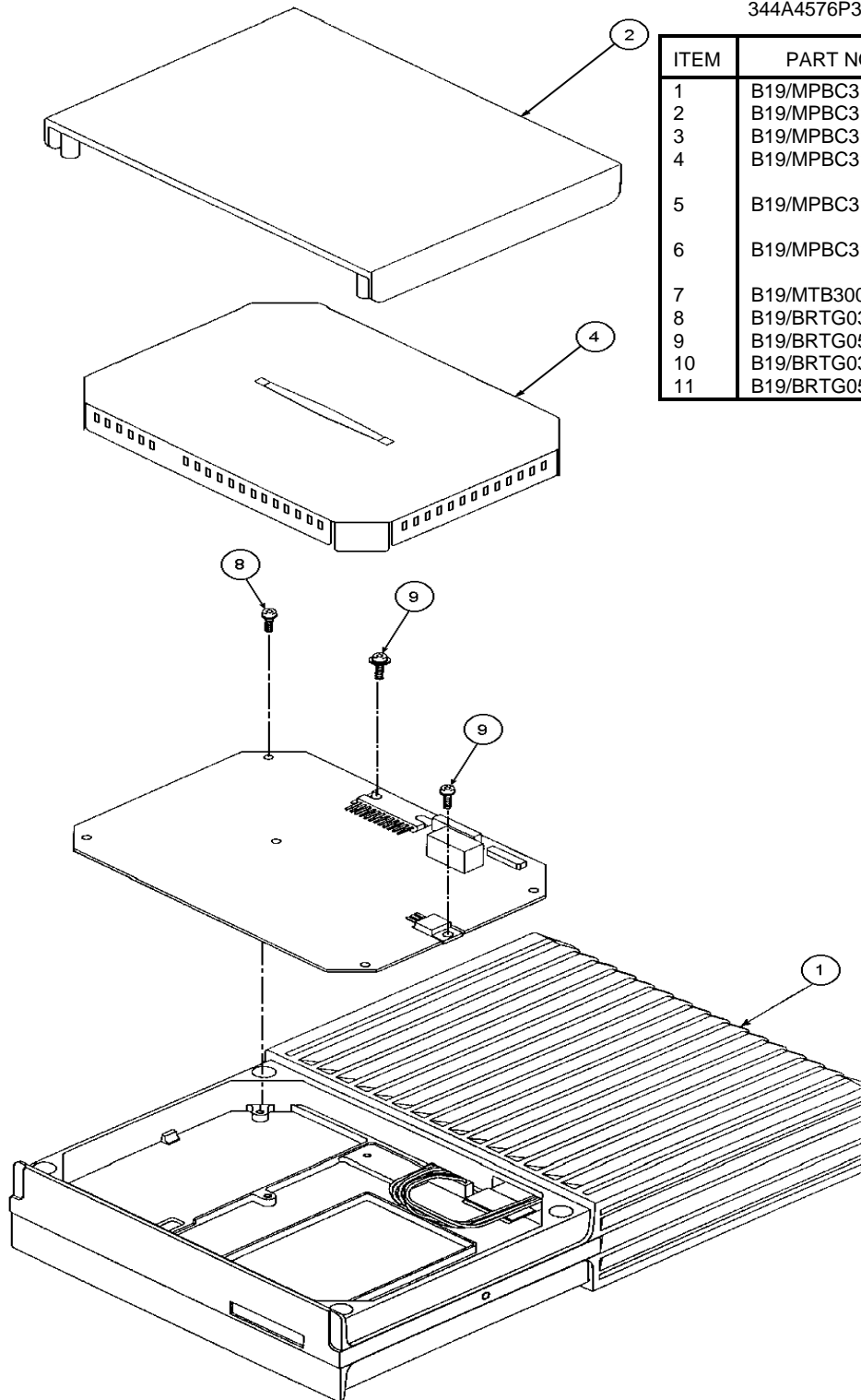


LOW BAND (EXPLODED VIEW AND PARTS LIST (1/2))

RADIO UNIT

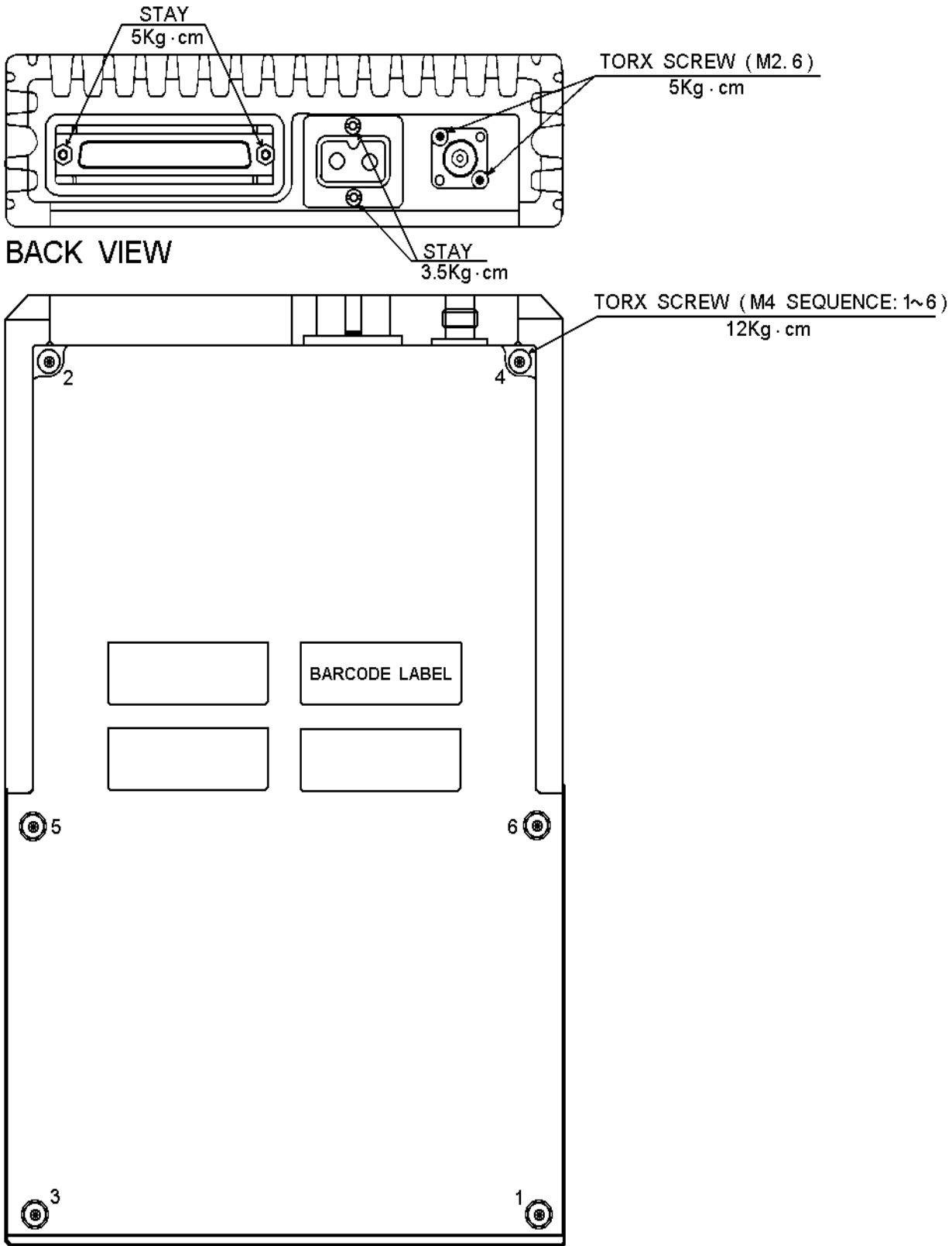
344A4576P1
344A4576P3

344A4576P2
344A4576P4

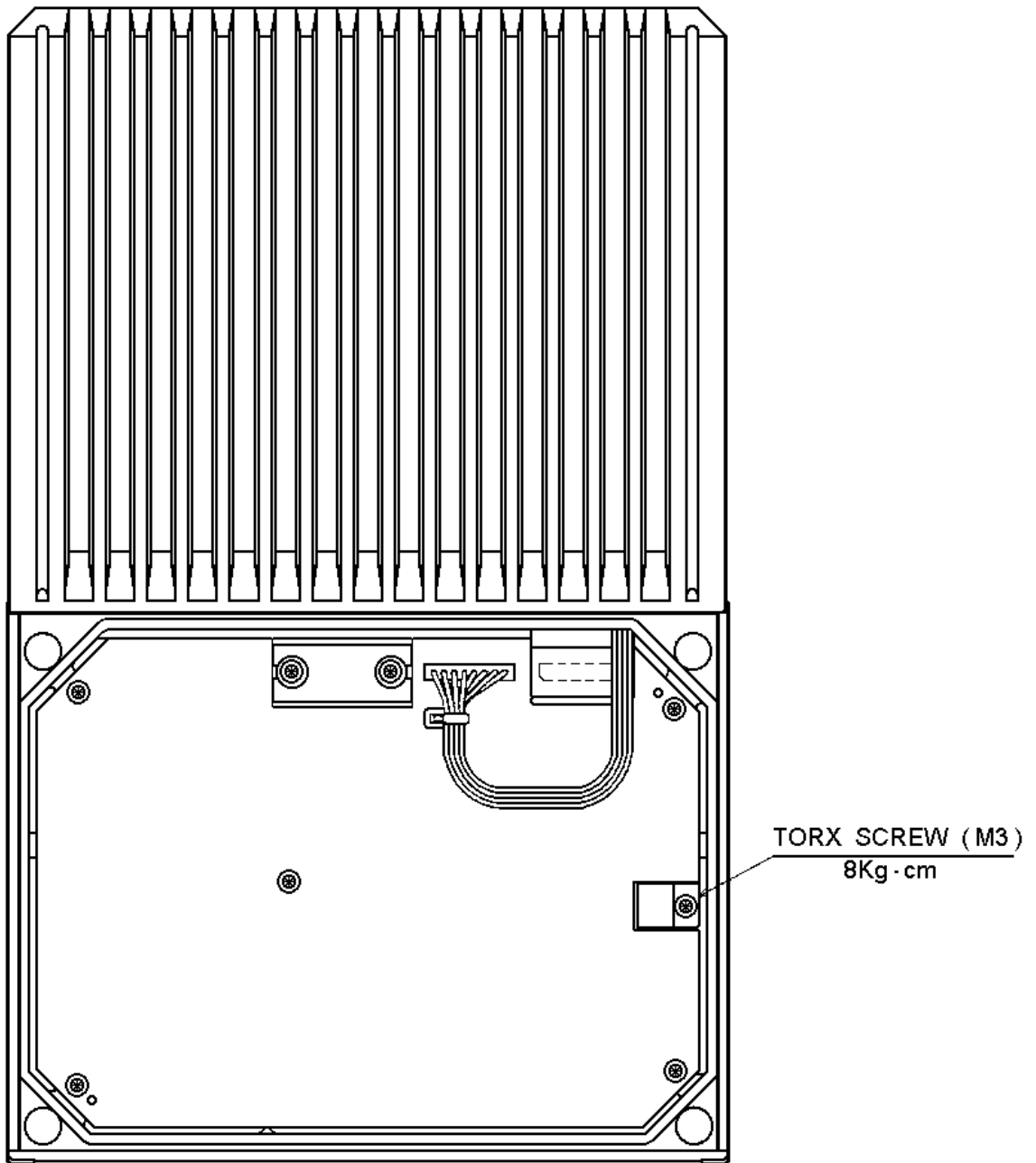


ITEM	PART NO.	DESCRIPTION
1	B19/MPBC31484	FRAME ASSEMBLY
2	B19/MPBC31474	TOP COVER ASSEMBLY
3	B19/MPBC31475	BOTTOM COVER ASSEMBLY
4	B19/MPBC31437	COVER SHIELD ASSEMBLY (LOGIC)
5	B19/MPBC31548	COVER SHIELD ASSEMBLY (RF)
6	B19/MPBC31549	COVER SHIELD ASSEMBLY (PA)
7	B19/MTB300290B	COVER SHIELD
8	B19/BRTG03830	SCREW (M3X8)
9	B19/BRTG05022	SCREW (M3X10)
10	B19/BRTG03943	SCREW (M3X13)
11	B19/BRTG05023	SCREW (M2.6X6)

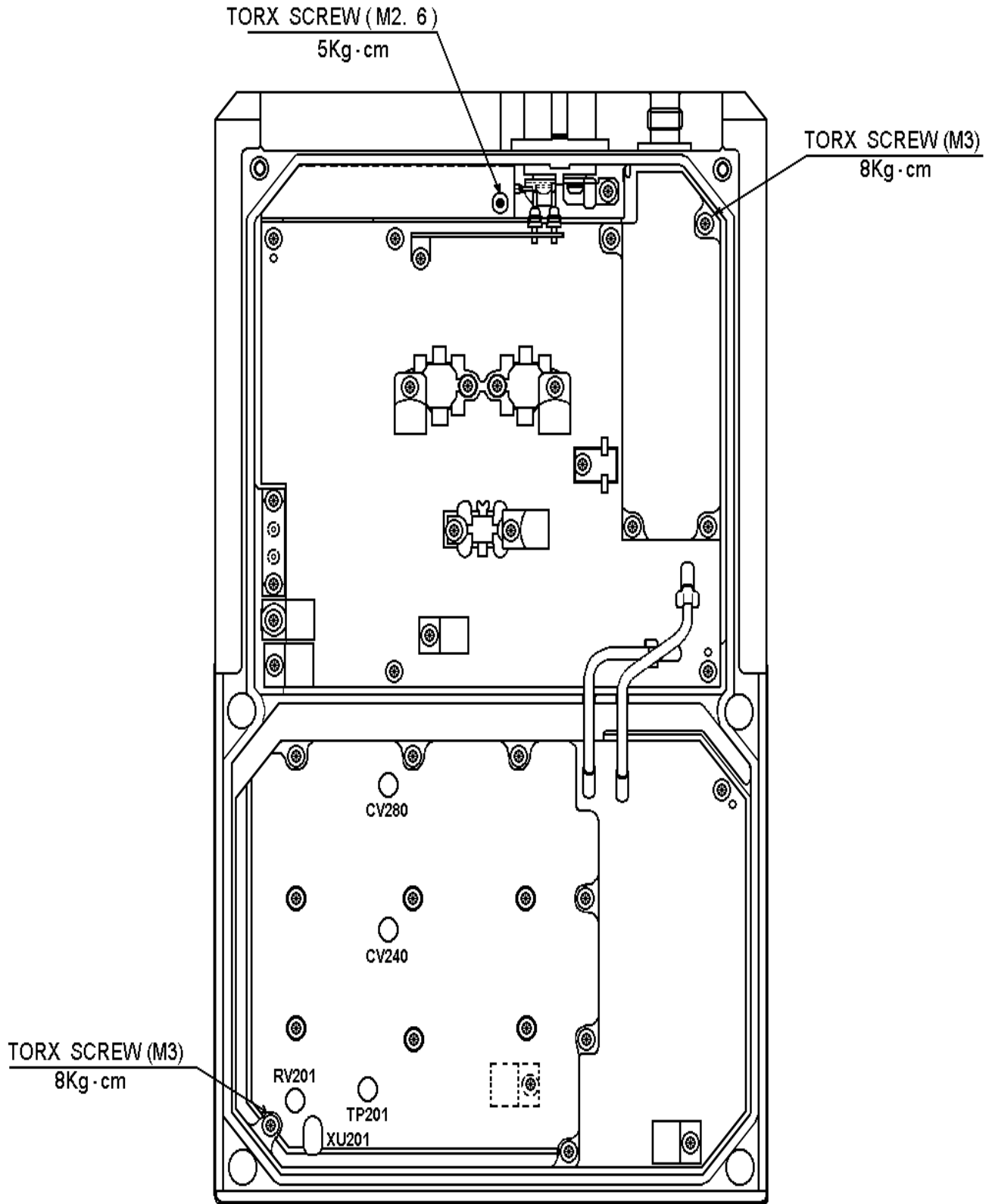
LOW BAND (EXPLODED VIEW AND PARTS LIST (2/2))



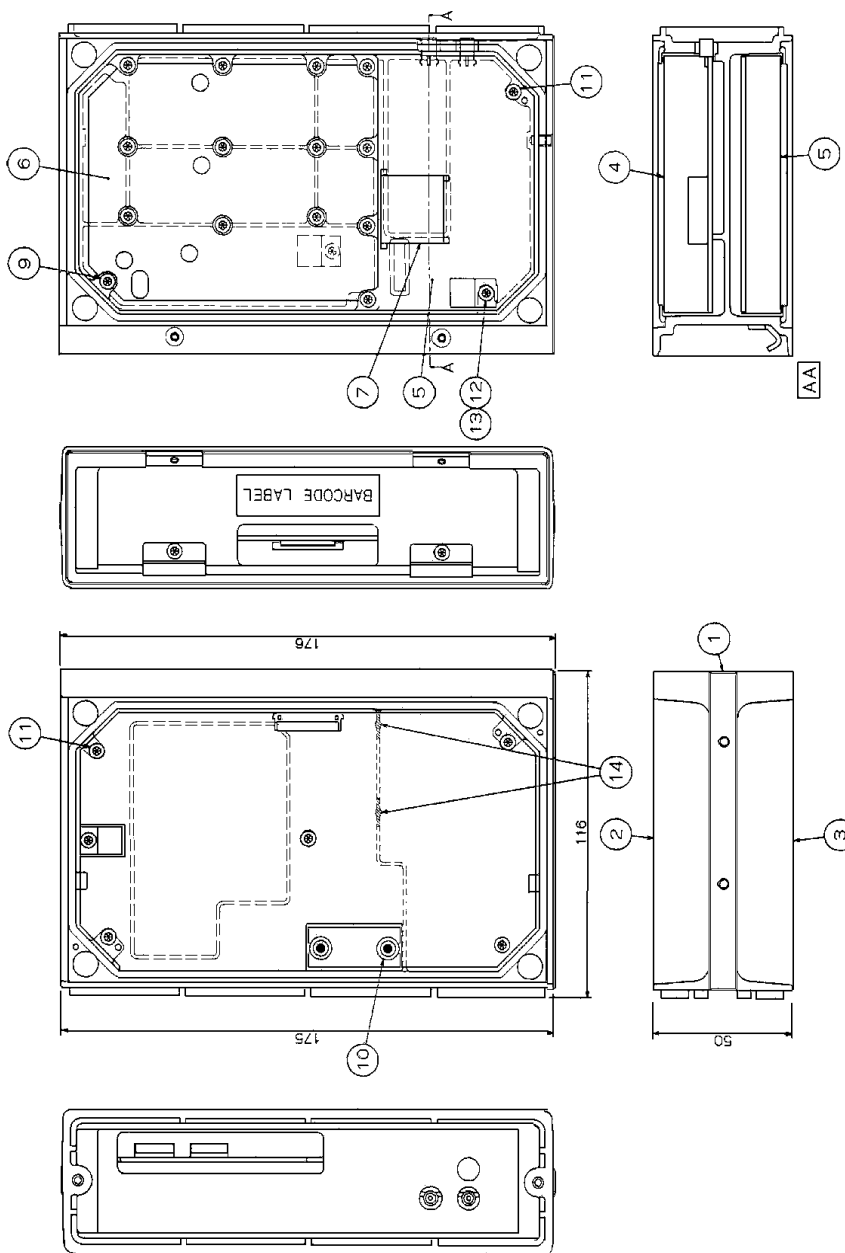
LOW BAND (1/3)



TOP VIEW
(REMOVE TOP COVER AND SHIELD COVER)

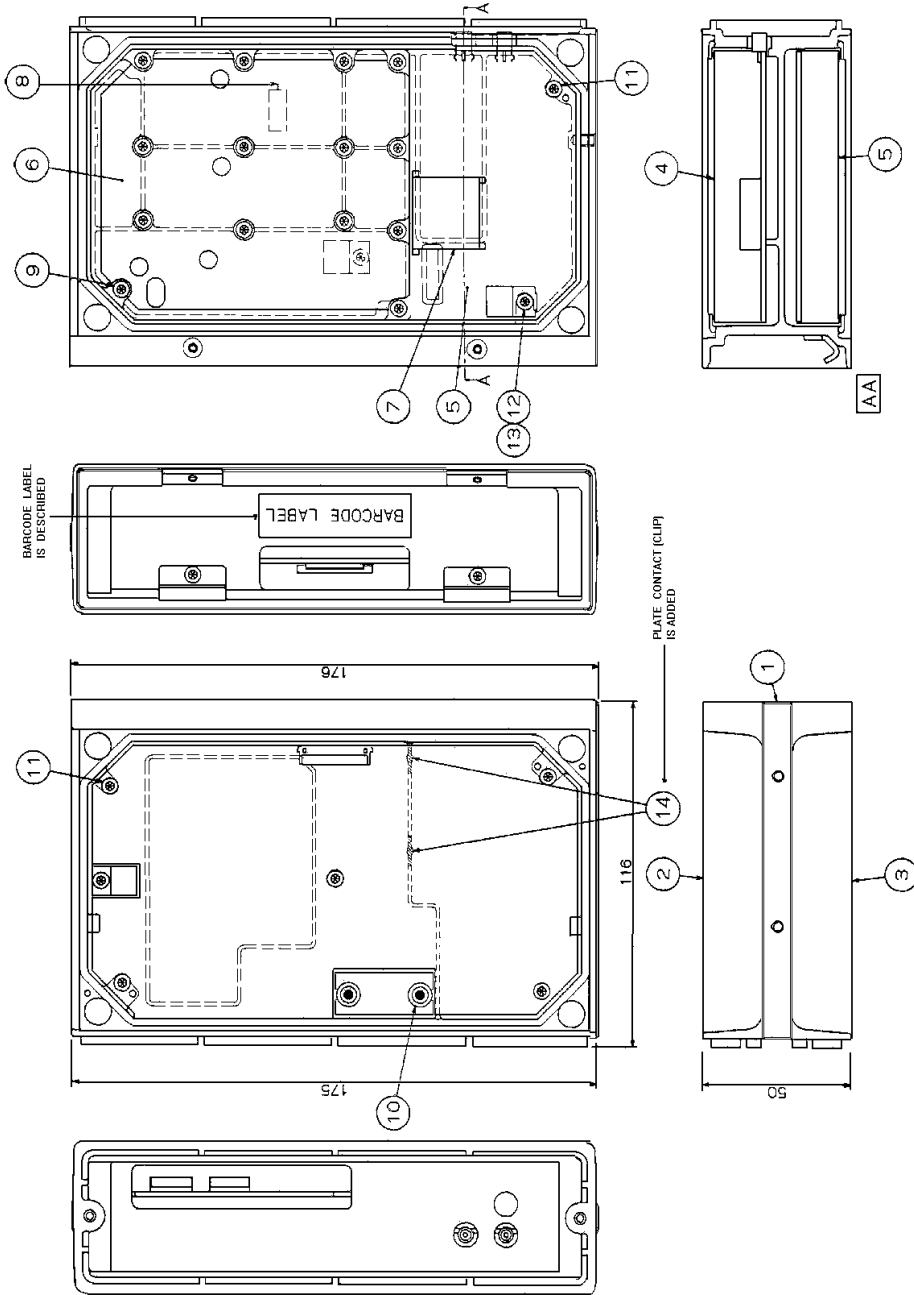


LOW BAND (3/3)



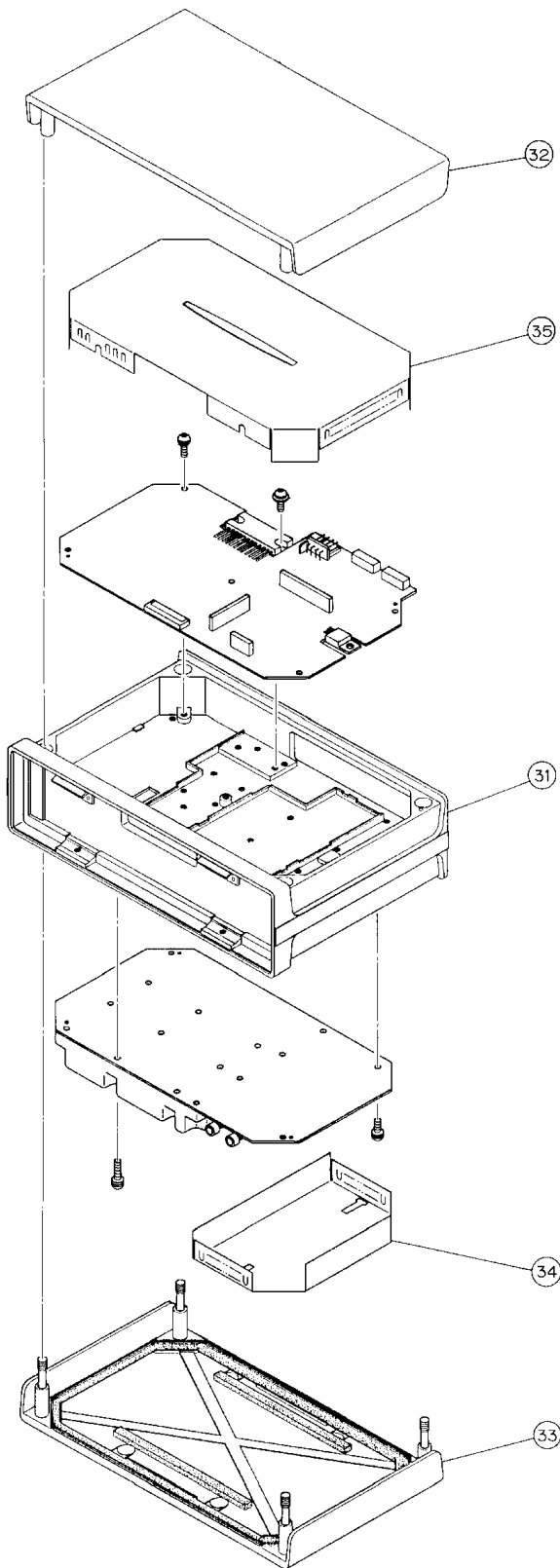
ITEM	PART NUMBER	DESCRIPTION
1	B19/MPBC30111C	FRAME ASSEMBLY
2	B19/MPBC30112	TOP COVER ASSEMBLY
3	B19/MPBC30113	BOTTOM COVER ASSEMBLY
4	B19/MPBC30691A	COVER SHIELD ASSEMBLY
5	B19/MPBC30692	COVER SHIELD ASSEMBLY
6	B19/MTCC03924	CASE SHIELD
7	B19/MTB308B13	CASE SHIELD
8		
9	B19/BRT603943	SCREW(M3X13)
10	B19/BRT605022	SCREW(M3X10)
11	B19/BRT603830	SCREW(M3X8)
12	B19/BRT603889	SCREW(M3X10)
13	B19/BSLW03000B	WASHER
14	B19/MPSR02419	CONTACT

**SYNTHESIZER/RECEIVER/EXCITER (VHF)
344A4577P1/P2 (B19/JHM-271RSA/B)**



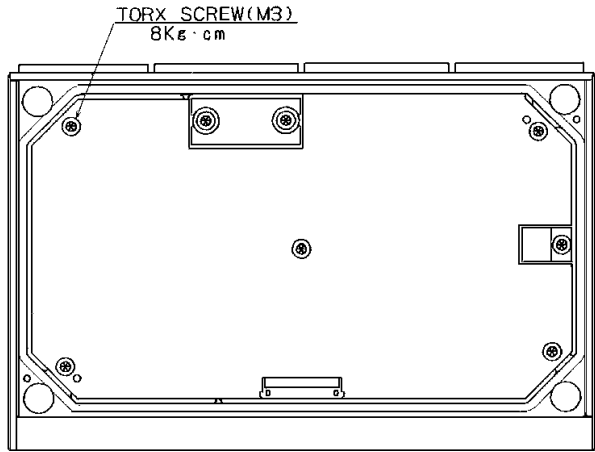
ITEM	PART NUMBER	DESCRIPTION
1	B19/MPBC30111C	FRAME ASSEMBLY
2	B19/MPBC30112	TOP COVER ASSEMBLY
3	B19/MPBC30113	BOTTOM COVER ASSEMBLY
4	B19/MPBC30691A	COVER SHIELD ASSEMBLY
5	B19/MPBC30692	COVER SHIELD ASSEMBLY
6	B19/MTC003924	CASE SHIELD
7	B19/MTB308813	CASE SHIELD
8	B19/MPSR02419	CONTACT
9	B19/BRTG03943	SCREW(M3X13)
10	B19/BRTG05022	SCREW(M3X10)
11	B19/BRTG03830	SCREW(M3XB)
12	B19/BRTG03889	SCREW(M3X10)
13	B19/BSLW03000B	WASHER
14	B19/MPSR02419	CONTACT

**SYNTHESIZER/RECEIVER/EXCITER (UHF, 800 MHz & 900 MHz)
344A4578P1/P2/P3 (B19/JHM-471RSA/B/C)**

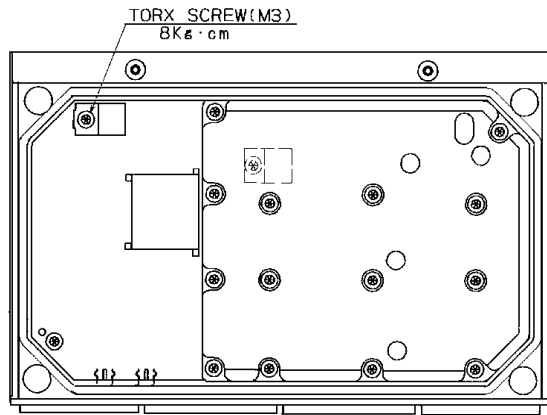


ITEM	PART NUMBER	DESCRIPTION
31	B19/MPBC30111C	Frame
32	B19/MPBC30112	Top Cover
33	B19/MPBC30113	Bottom Cover
34	B19/MPBC30691A	Bottom Cover Shield
35	B19/MPBC30692	top Cover Shield

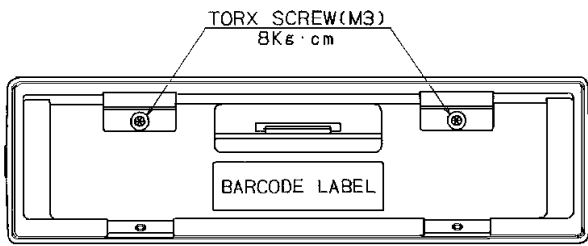
SYNTHESIZER/RECEIVER/EXCITER (EXPLODED VIEW)



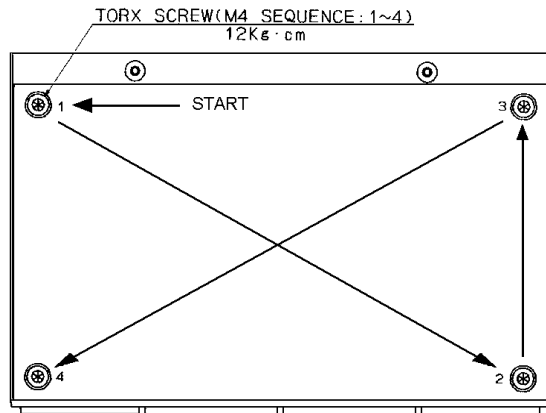
TOP VIEW(REMOVE TOP COVER AND SHIELD COVER)



BOTTOM VIEW(REMOVE BOTTOM COVER AND SHIELD COVER)

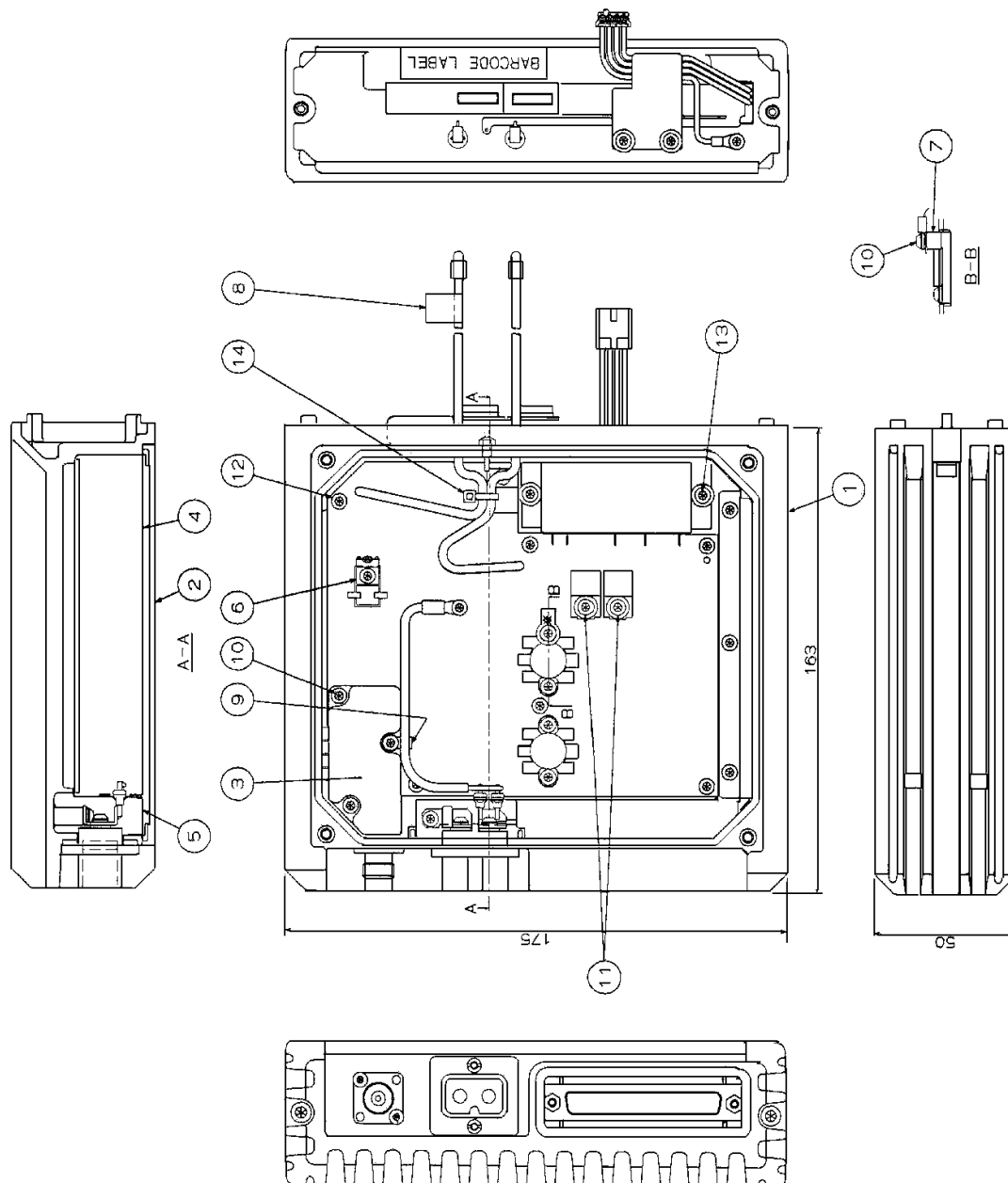


FRONT VIEW



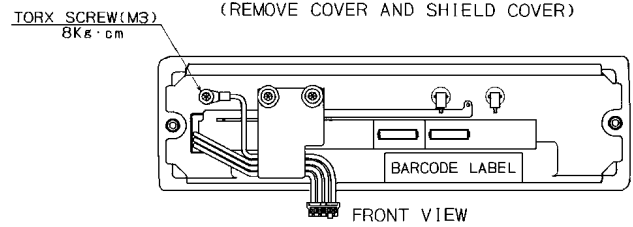
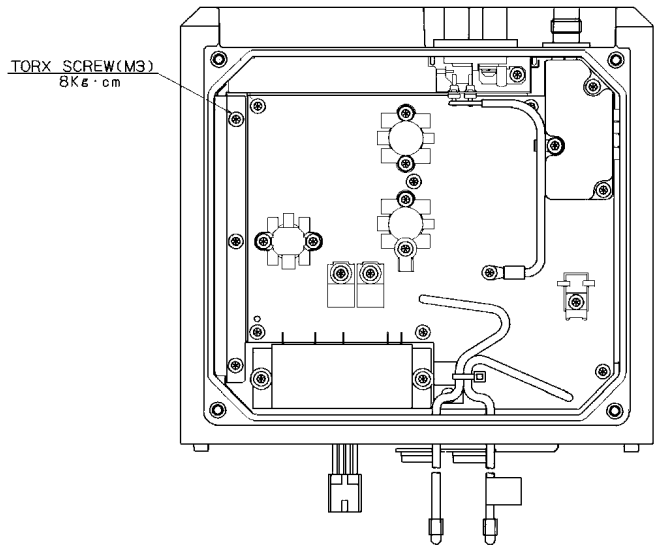
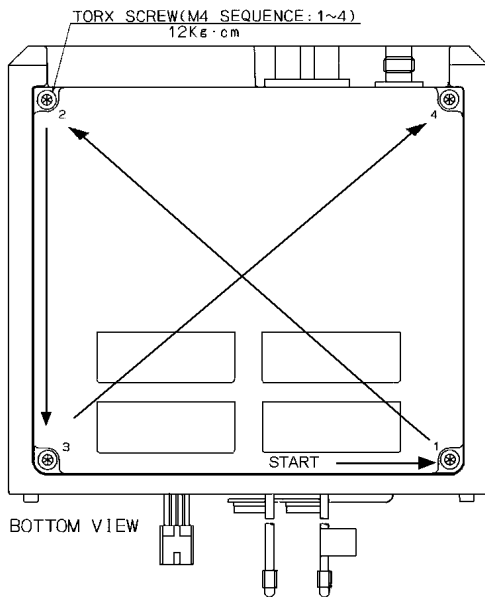
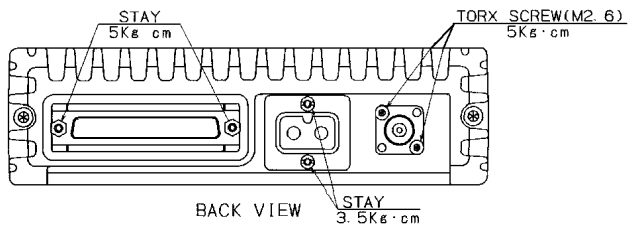
BOTTOM VIEW

SYNTHESIZER/RECEIVER/EXCITER

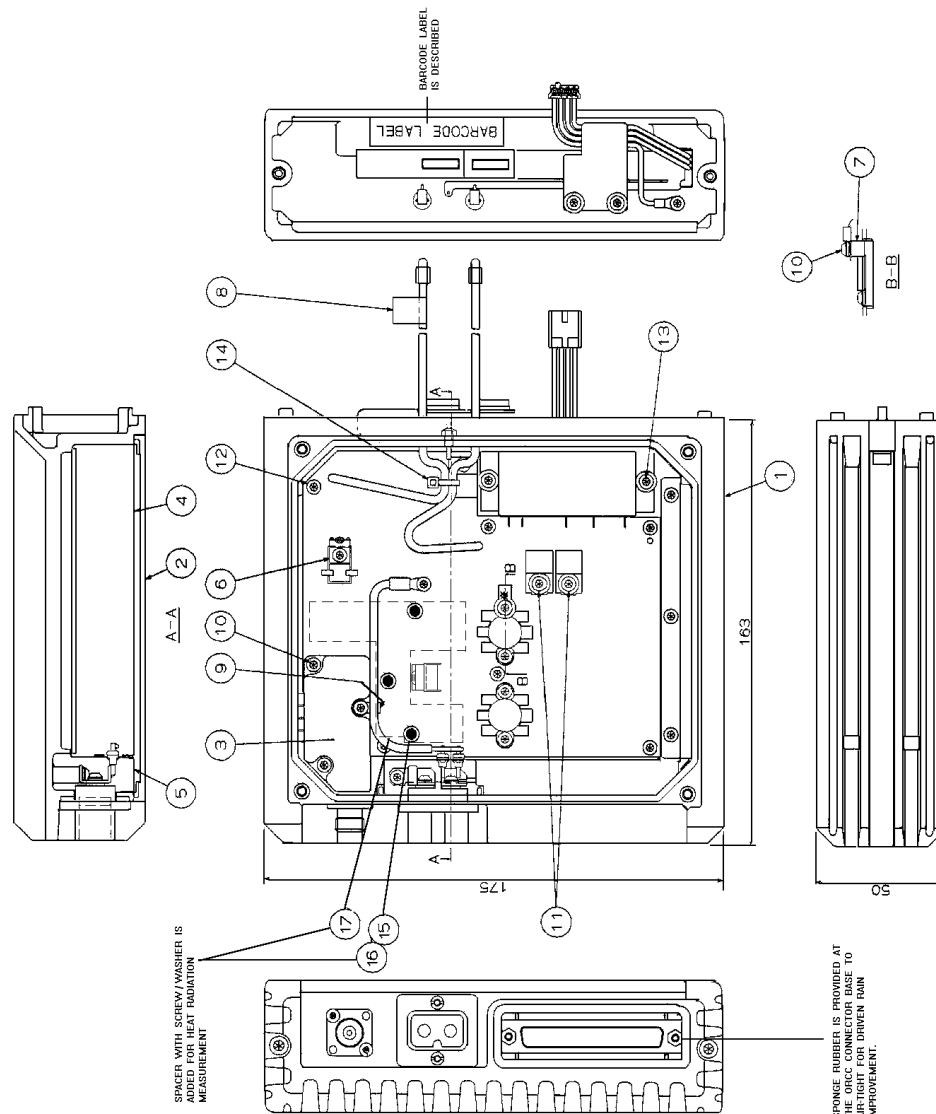


ITEM	PART NUMBER	DESCRIPTION
1	B19/MPBC30095C	FRAME (ASSY)
2	B19/MPBC30096B	COVER (ASSY)
3	B19/MPBC30693	CASE SHIELD (ASSY)
4	B19/MPBC30695A	CASE SHIELD (ASSY)
5	B19/MTB300290B	CASE SHIELD
6	B19/MTB307254	PLATE
7	B19/MTL035255	SPACER
8	B19/MPNN31124	MARKER
9	B19/MPBP30119	CLAMP
10	B19/BRTG03943	SCREW (M3X13)
11	B19/BRTG05022	SCREW (M3X10)
12	B19/BRTG03830	SCREW (M3X8)
13	B19/BRTG03942	SCREW (M3X8)
14	B19/BRBP00131	CABLE CLAMP

**POWER AMPLIFIER UNIT (VHF)
344A4572P5/P6 (B19/JHM-271PAH/BH)**

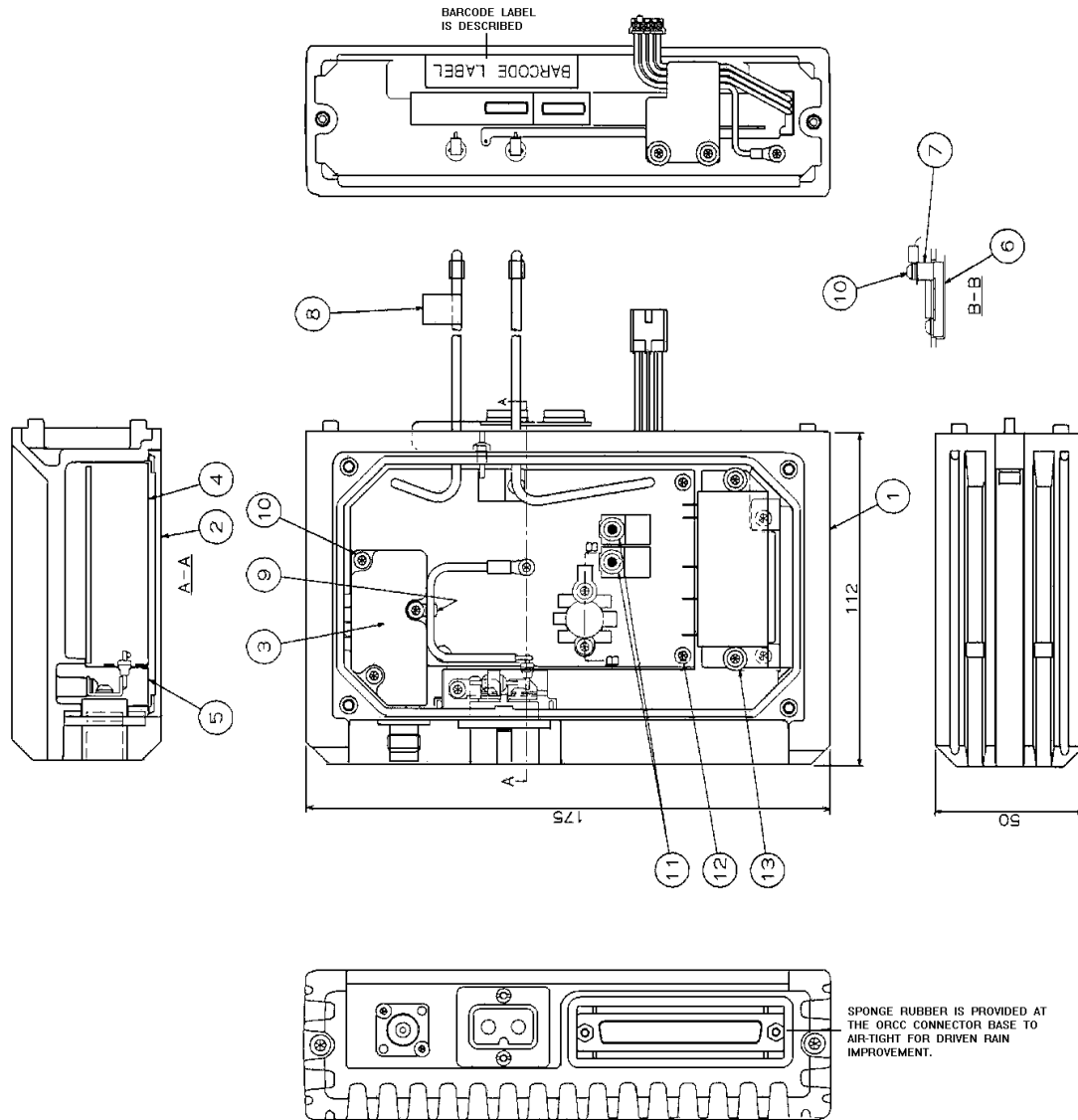


POWER AMPLIFIER UNIT (VHF)



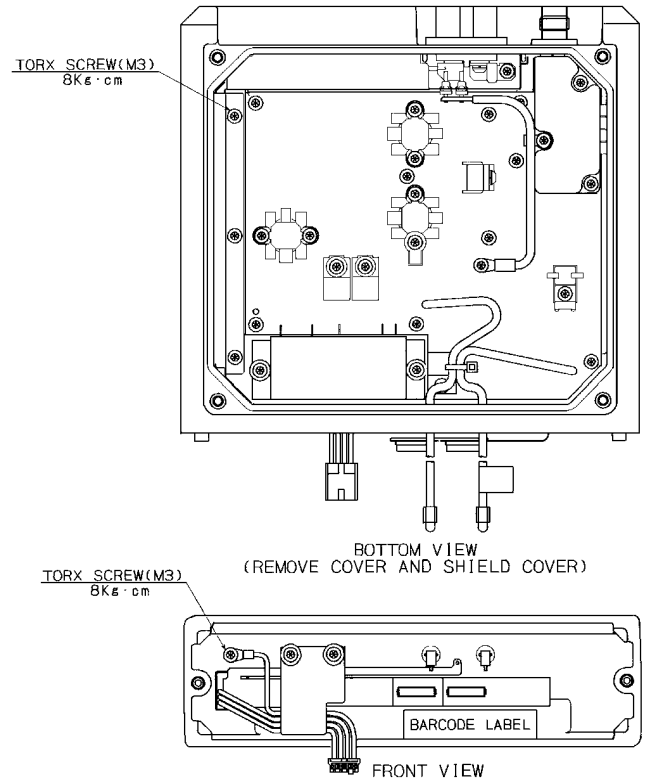
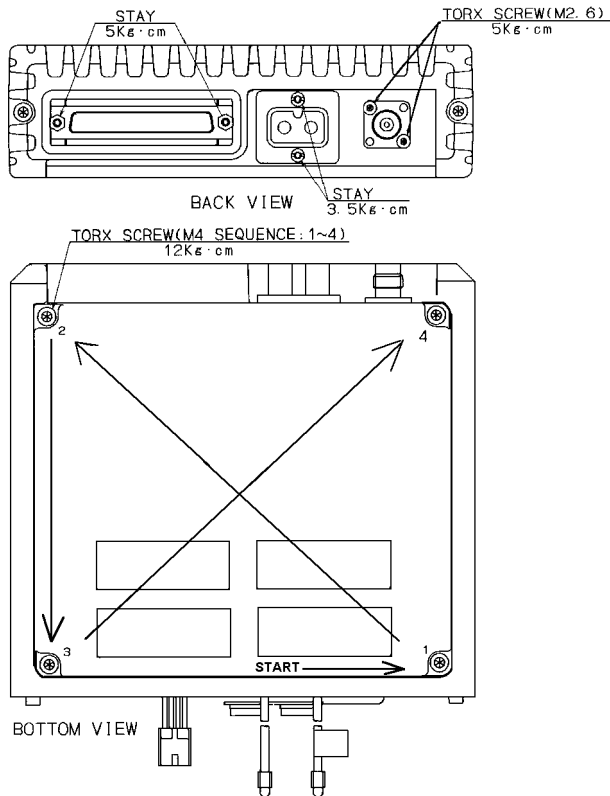
ITEM	DESCRIPTION	PART NUMBER
1	B19/MPBC30095C	FRAME (ASSY)
2	B19/MPBC30096B	COVER (ASSY)
3	B19/MPBC30693	CASE SHIELD (ASSY)
4	B19/MPBC30695A	CASE SHIELD (ASSY)
5	B19/MTB300290B	CASE SHIELD
6	B19/MTB307254	PLATE
7	B19/MTL035255	SPACER
8	B19/MPNN31124	MARKER
9	B19/MPBP30119	CLAMP
10	B19/BRTG03943	SCREW (M3X13)
11	B19/BRTG05022	SCREW (M3X10)
12	B19/BRTG03930	SCREW (M3X8)
13	B19/BRTG03942	SCREW (M3X8)
14	B19/BRBP00131	CABLE CLAMP
15	B19/BRTG03889	SCREW (M3X10)
16	B19/BSLW03000B	WASHER
17	B19/MTB310143	SPACER

POWER AMPLIFIER UNIT
(UHF, 800 MHz & 900 MHz, HIGH POWER)
344A4573P6/P7/P8 (B19/JHM-471 PAH/BH/CH)
344A4574P2 (B19/JHM-871PH)
344A4575P2 (B19/JHM-971PH)

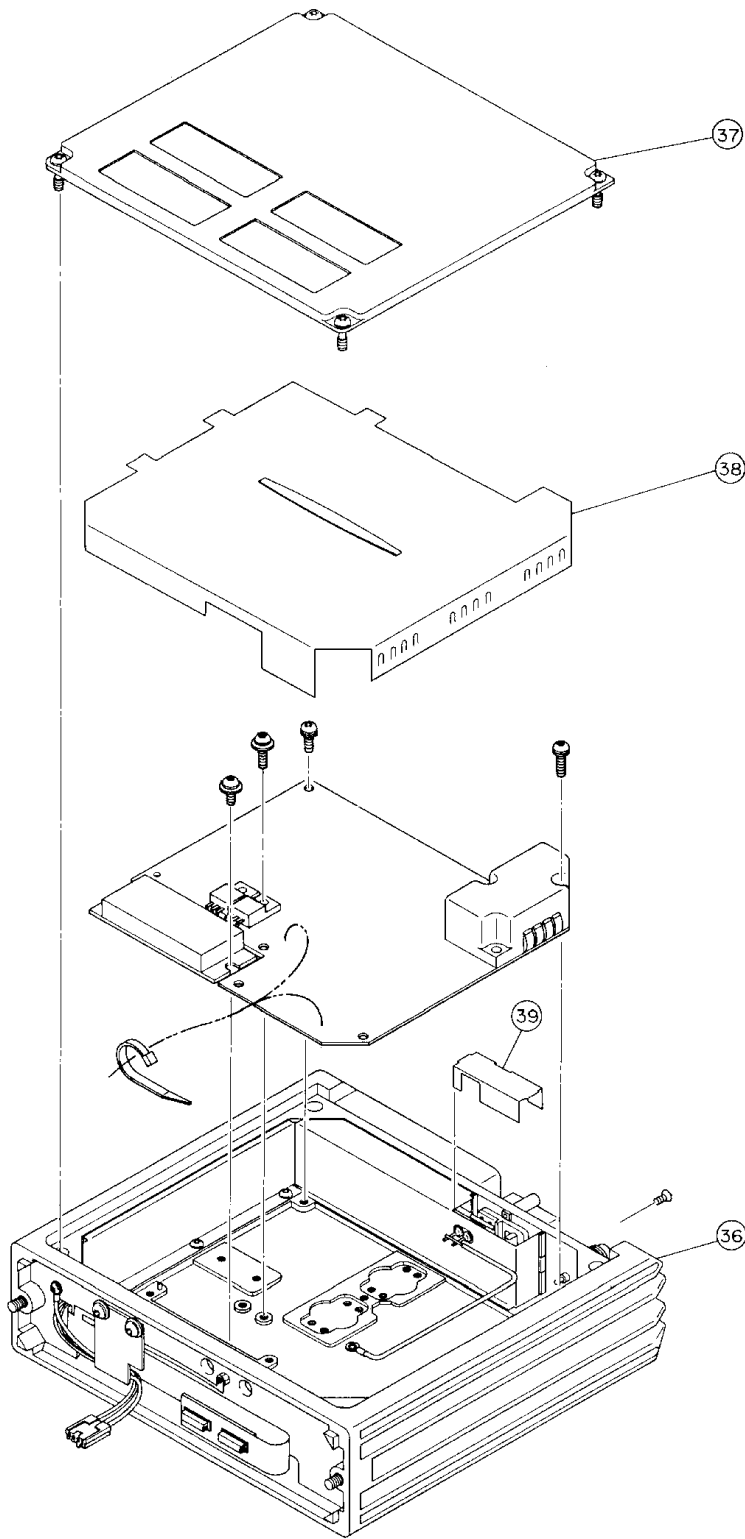


ITEM	PART NUMBER	DESCRIPTION
1	B19/MPBC30108C	FRAME ASSEMBLY
2	B19/MPBC30109B	COVER ASSEMBLY
3	B19/MPBC30693	CASE SHIELD ASSEMBLY
4	B19/MPBC30696	COVER SHIELD ASSEMBLY
5	B19/MTB3002909	COVER SHIELD
6	B19/MTB306383	SPACER
7	B19/MTL035255	SPACER
8	B19/MPNN31124	MARKER
9	B19/MPBP30119	CLAMP
10	B19/BRTG03943	SCREW(3x13)
11	B19/BRTG05022	SCREW(3x10)
12	B19/BRTG03830	SCREW(3x8)
13	B19/BRTG03942	SCREW(3x8)

POWER AMPLIFIER UNIT
(UHF, 800 MHz & 900 MHz, LOW POWER)
344A4573P3/P4/P5 (B19/JHM-471PAL/BL/CL)
344A4575P1 (B19/JHM-871PL)
344A4575P1 (B19/JHM-971PL)



**POWER AMPLIFIER UNIT
(UHF, 800 MHz & 900 MHz)**



ITEM	PART NUMBER	DESCRIPTION
36	B19/MPBC30095C	Frame
37	B19/MPBC30096B	Top Cover
38	B19/MPBC30695A	Case Shield
39	B19/MPBC30693	Case Shield

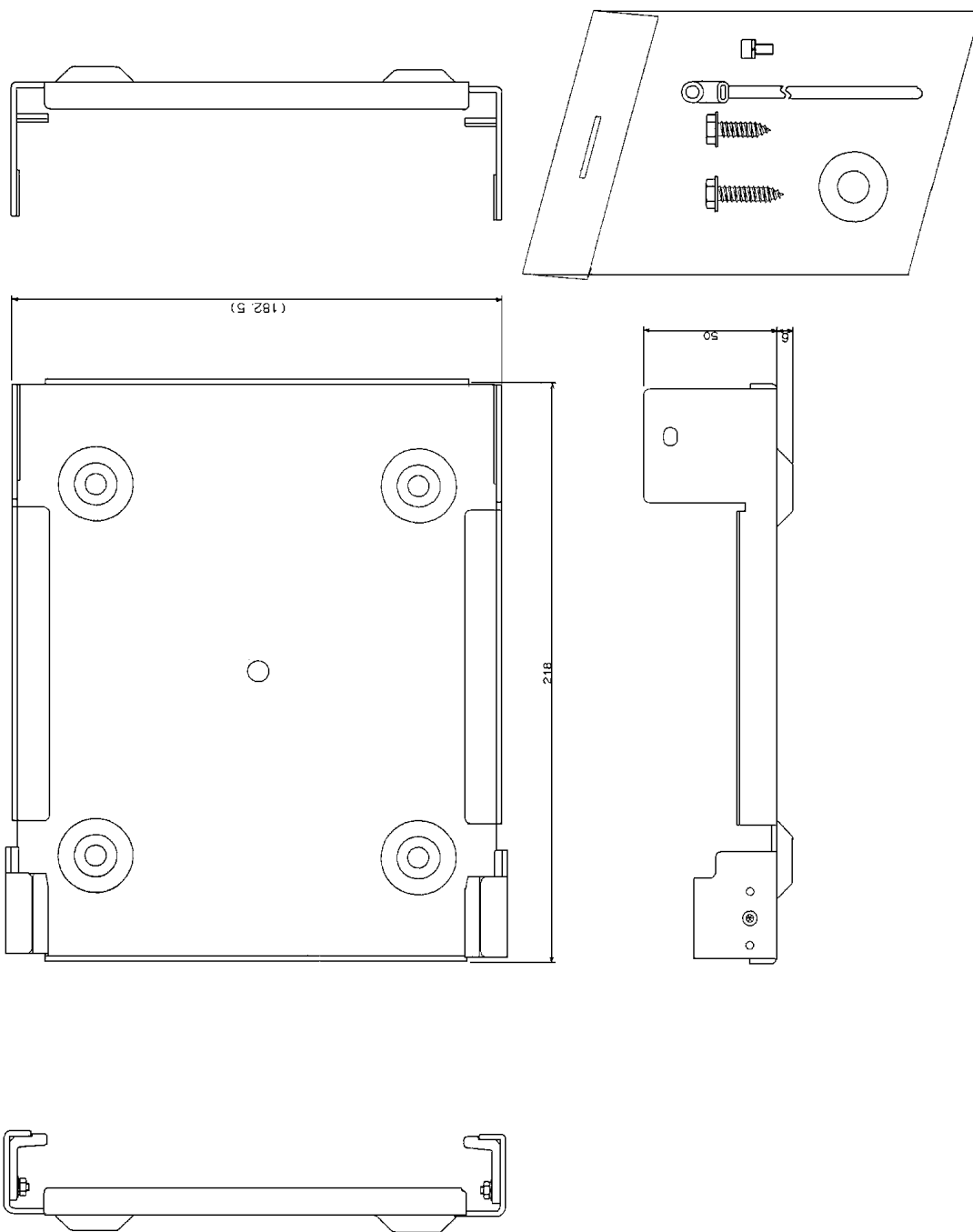
POWER AMPLIFIER UNIT (EXPLODED VIEW)

OPTION
NQZ-4881
MECHANICAL PARTS

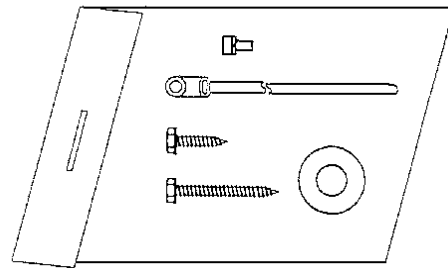
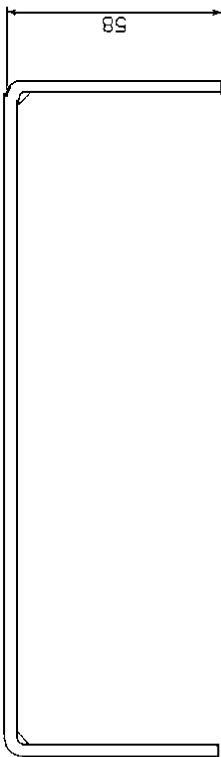
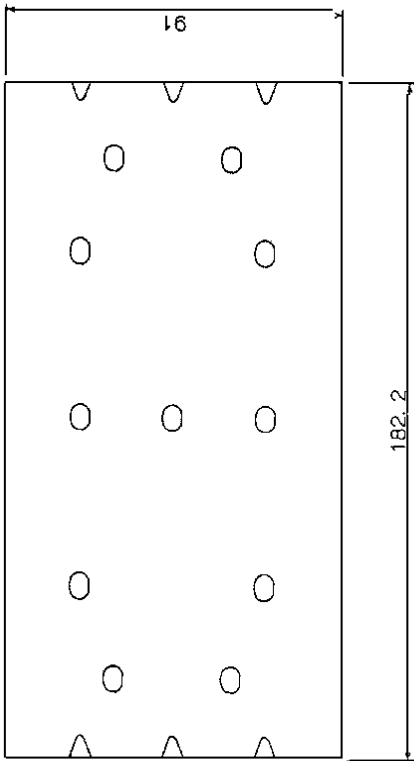
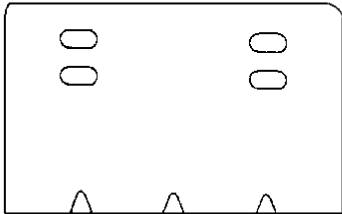
ITEM	PART NUMBER	DESCRIPTION
1	B19/NQZ-4881OPT	CASSETTE MOUNT
2	B19/MPBX30085	RIA MOUNTING BRACKET
3	B19/MPBX21706	TRAY MOUNTING BRACKET
4	B19/MPBX31233	FRONT MOUNTING BRACKET
5	B19/MPPK01853B	GASKET (TRX-PA)
6	B19/MPPK30050	GASKET (CU-TRX)
7	B19/MPBC30728	FRONT COVER (TRX)
8	B19/MPNM30271	LABEL C/U (EGE)
9	B19/MPNM30280A	LABEL C/U (ERIC)
10	B19/MPNL30408	LABEL FRONT COVER (EGE)
11	B19/MPNL30409	LABEL FRONT COVER (ERIC)
12	B19/MPTG30015	SCREW (M3-14)
13	B19/BRTG00339	WASHER (M3)
14	B19/MPHD30066	STANDARD SYSTEM KEYCAP KIT
15	B19/MPHD30067	OPTIONAL SYSTEM KEYCAP KIT
16	B19/MPHD30068	OPTIONAL SCAN KEYCAP KIT
17	B19/MPDM30036	KEYLOCK FOR TRANSCEIVER
18	B19/MPTC30026	SCAN KEYCAP EXTRACTOR
19	B19/MPTC30027	SYSTEM KEYCAP EXTRACTOR
20	B19/MPTG30006	SCREW (M4-20)
21	B19/BRTG00198	WASHER (M4)

SYMBOL	PART NUMBER	DESCRIPTION
F601	B19/5ZFAP00008	5A Fuse (Used on IF Logic Board).
K601	B19/5KLAC00112	Relay 9V JY9H-K (Used on IF Logic Board).
CD201	B19/5TZAD00560	Orange Opto Diode TL0205 (Used on Control Panel).
CD202	B19/5TZAD00296	Red Opto Diode TLR205 (Used on Control Panel).
VFD201	B19/5NZBZ00001	Vacuum Florescent Display (Used on Control Panel).
S1	B19/5SZJC00017	Rotary Switch (Used on Control Unit).
S2	B19/5RVAC00106	Volume Control (Used on Control Unit).
PC1	B19/6PCLC00307	Flex PC Board Volume/Selector switch (Used on Control Unit).
PC2	B19/6PCLD00321	Flex PC Board Ribbon Flex Cable (Used on Control Unit).
J1001	B19/5JAAE01064	TNC RF Connector (Used on PA Assembly).
J1002	B19/5JWAV00159	DC Power Jack (Used on PA Assembly).
J1004	B19/5JWAH01075	Speaker Connector (Used on PA Assembly).
J1003	B19/5JBAH00334	Connector DB-37 Pin Female ((Used on USA PA Interface Board
J1003	B19/5JBAH00339	Coonnector DB-37 Pin Male (Used on European PA Interface Board).
CD1001	B19/5TXAM00019	Diode 6A 100 PIV MR751 (Used in PA Assembly)
J102	B19/5JWHZ00048	Microphone Connector 9 Pins (Used on Switch Board).

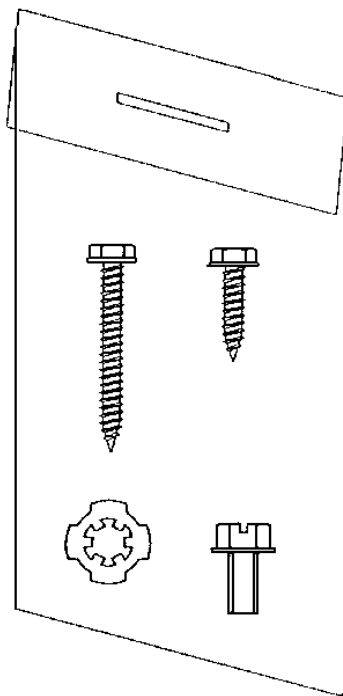
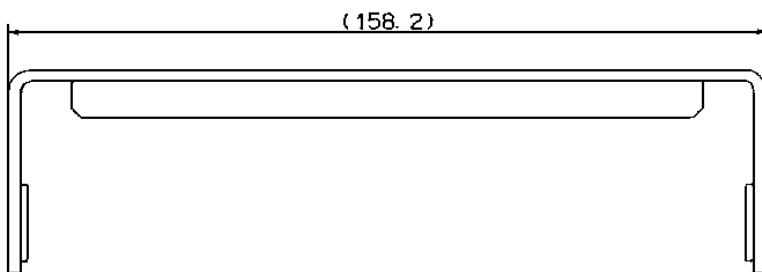
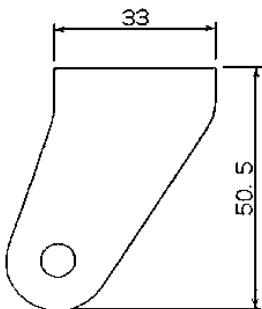
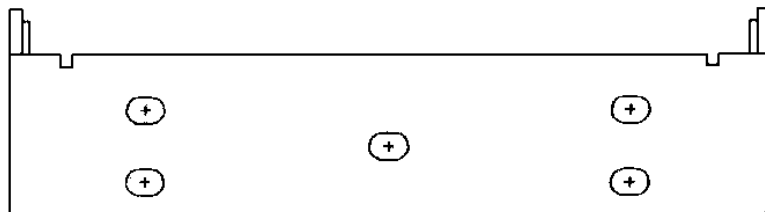
MECHANICAL PARTS



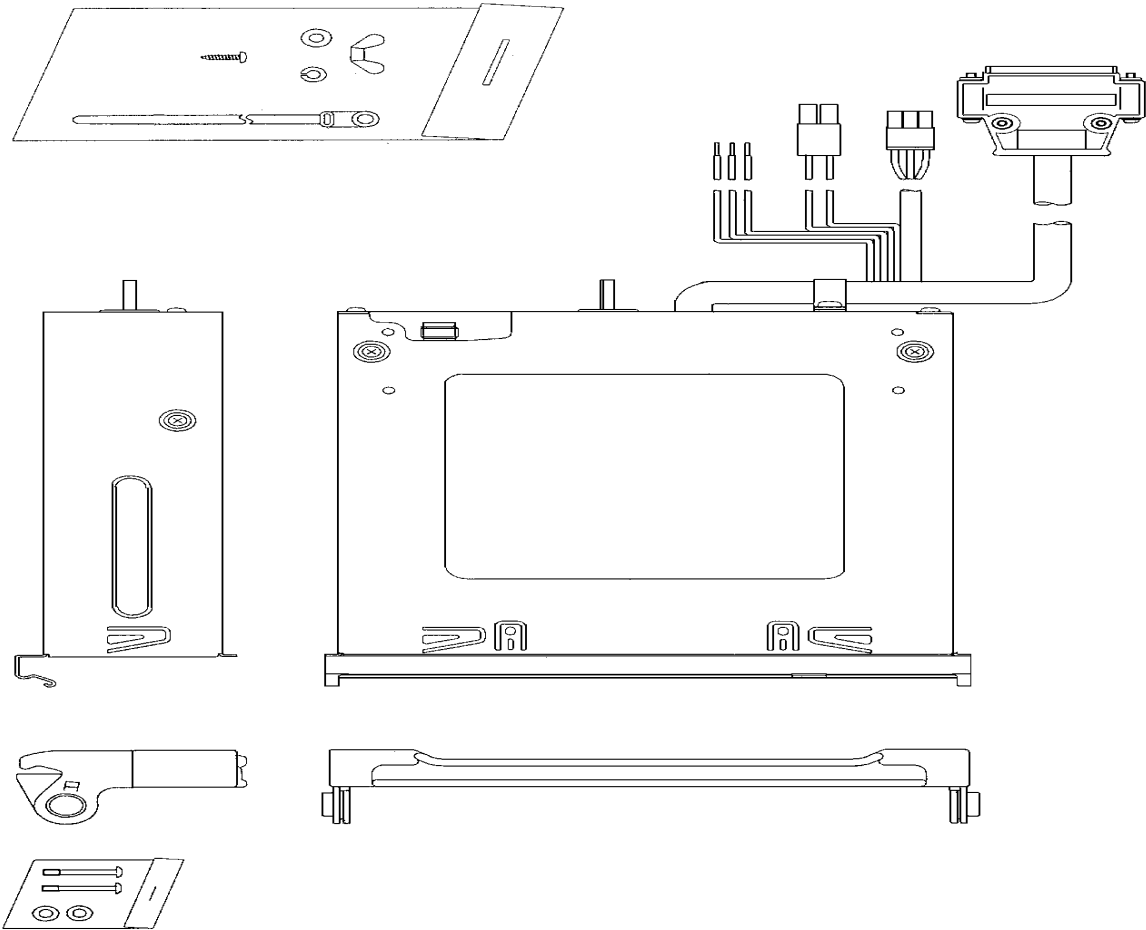
**TRAY MOUNTING BRACKET WITH HARDWARE KIT
19B802673P1 (B19/MPBX21706)**



**FRONT MOUNTING BRACKET WITH HARDWARE KIT
19B802672P1 (B19/MPBX31233)**



**RIA MOUNTING BRACKET WITH HARDWARE KIT
19B802472P1 (B19/MPBX30085)**



**CASSETTE MOUNT WITH HARDWARE KIT
19C852366P1 (B19/NQZ-48810PT)**

(Intentionally Left Blank)

