

## INSTALLATION INSTRUCTIONS FOR EXTERNAL ALARM

MODIFICATION KIT A-4037724-G1, G2, G3, G4  
OPTIONS 5843, 5844, 5848, 5849

External Alarm Options for Simultaneous Duplex MTS Applications provide the necessary facilities for sounding an external alarm device (such as the vehicle horn) when a call is received. Modification Kit A-4037724 is provided for field installation of these Options.

Options 5848 and 5849 (A-4037724-G3 & G1, respectively) modify the Manual Control Units (Models 4EC44A11 & A13) by providing a Switch (S1) and a Relay (K1) for transferring the negative battery voltage from the handset sounder to the External Alarm device.

Options 5843 and 5844 (A-4037724-G2 & G4 respectively) modify the Dial Control Units (Models 4EC44A10 and A12) by providing Switch S1 to connect a negative voltage from the Supervisory Signaling Unit to the External Alarm device when desired.

## INSTALLATION OF OPTIONS 5848 &amp; 5849

1. Remove the key and nut from the Lockswitch of the Manual Control Unit. Remove nameplate.
2. Remove the 4 #4 flat head screws in each corner of the front plate; pull the plate forward and drop it down.
3. Bend one of the legs of the mounting clip up to an angle of 90°.
4. Mount the clip in the hole between the Transmit light and the nearest pushbutton, orienting the bent leg (Step 3) over the ridge of the mounting bracket.
5. Mount Switch (S1) with two screws and washers (provided in the Modification Kit) in the holes below the Transmit light, orienting the terminals toward the bottom of the Control Unit. Washers should be assembled between the Switch and the mounting bracket as shown in Figure 2.
6. Connect the 0.47  $\mu$ f capacitor (C1) between K1-3 and K1-4.
7. Connect the 1N91 Diode (CR1) between K1-3 and K1-1 with the polarity as indicated in Figure 1.
8. Connect a 3 1/2" wire to K1-1 and let the wire hang.
9. Connect a 6" wire to K1-2 and let it hang.
10. Connect a 3 1/2" wire to K1-4 and let it hang.
11. Mount K1 in the clip mounted in Step 4, orienting K1-2 & K1-4 toward the Lockswitch and K1-3 and K1-1 away from the chassis.

# LBI-8194B INSTALLATION INSTRUCTIONS FOR EXTERNAL ALARM

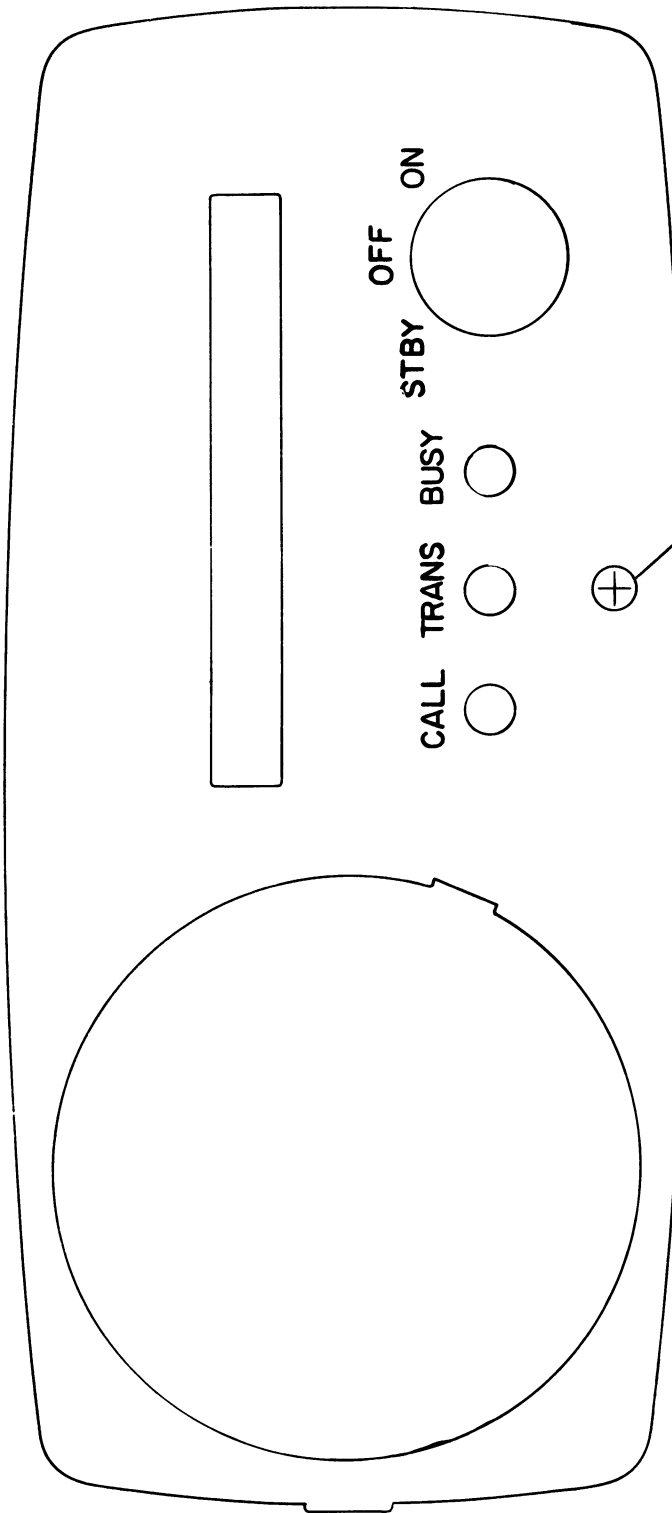
12. Connect wire from K1-1 to S701-C4.
13. Connect wire from K1-2 to J701-27.
14. Connect wire from K1-4 to S1-9.
15. Remove wire between J701-7 and R702-1.
16. Add wire between J701-7 and S1-8.
17. Add wire between TB4-1 and S1-7.
18. Remove plug button from Hole "A" in the front nameplate (refer to TE-101); and assemble parts removed in Steps 1 and 2. If Hole "A" is not present, the nameplate drawing should be cut out and used as a template to locate the hole position.
19. Mount the Switch Button on the shaft of S1.
20. Terminate one end of the #20 wire (provided in the Modification Kit) with the terminal provided, and the other end with the connector provided. Use sleeving over the connector.
21. Loosen the clamp screw on P701 and remove the 4 screws mounting the cover on P701.
22. Put the sleeved end of the #20 wire through the plug cover and connect to P701-27.
23. Reassemble cover on plug and tighten clamp screw.

## INSTALLATION OF OPTIONS 5843 & 5844

1. Perform Steps 1,2, & 5 in the preceding instructions.
2. Connect a wire from S1-8 to J701-26.
3. Connect a wire from S1-9 to J701-27.
4. Perform Steps 18 through 23 in the preceding instructions.

## PARTS LIST

<u>Symbol</u>	<u>G-E Part No.</u>	<u>Description</u>
C1	7491930-P12	Capacitor, Mylar® dielectric: 0.47 $\mu$ f $\pm$ 20%, 100 VDCW.
CR1	5494920-P1	Diode, Germanium.
K1	19B200619-P2	Relay: DC res 4000 ohms, nominal operation 12 VDC; Sim to Rypinsky Type RY-0239-3.
S1	19B200638-P2	Switch, push-button: 2PDT shorting; Sim to Oak Type 170 Latching.



HOLE "A" - 1/4 INCH  
SWITCH BUTTON HOLE  
FOR EXTERNAL ALARM OPTION

Outline Diagram/Template

NAMEPLATE FOR  
MTS CONTROL UNIT

(TE-101)

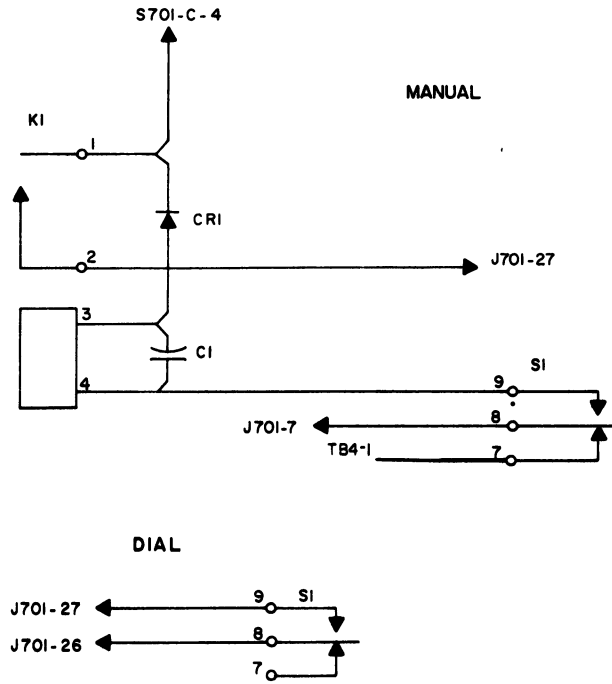


Figure 1

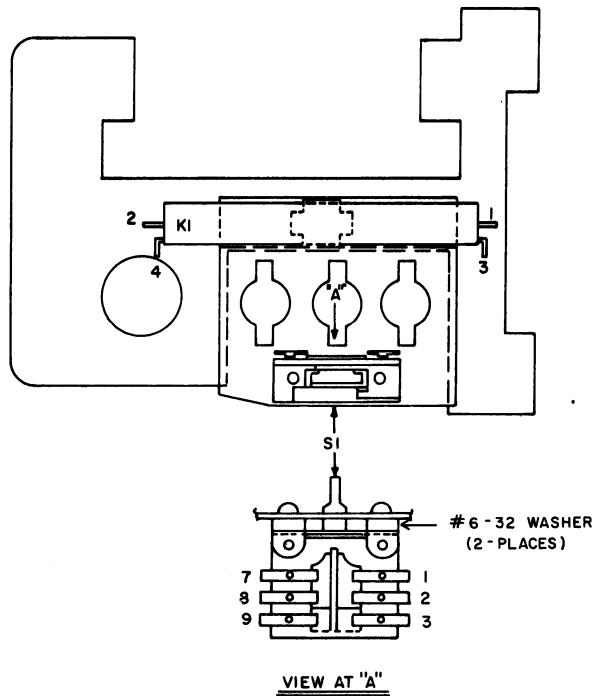


Figure 2

COMMUNICATION PRODUCTS DEPARTMENT  
 GENERAL ELECTRIC COMPANY  
 LYNCHBURG, VIRGINIA